

HKIX Development and HKIX-R&E Updates at APAN 54

Ryan Ng

HKIX Team

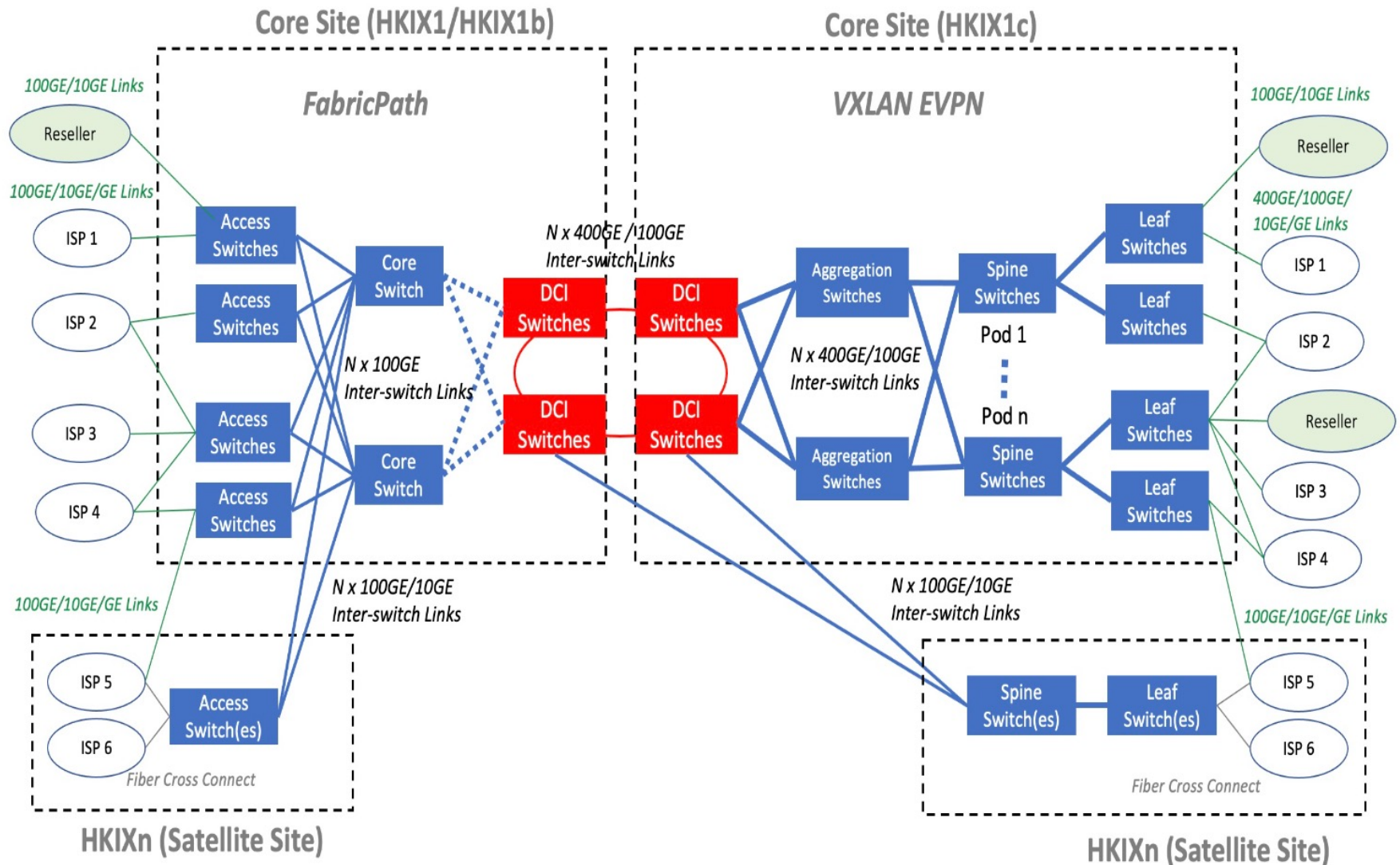
www.hkix.net

22-26 Aug 2022 (Jiana, China)

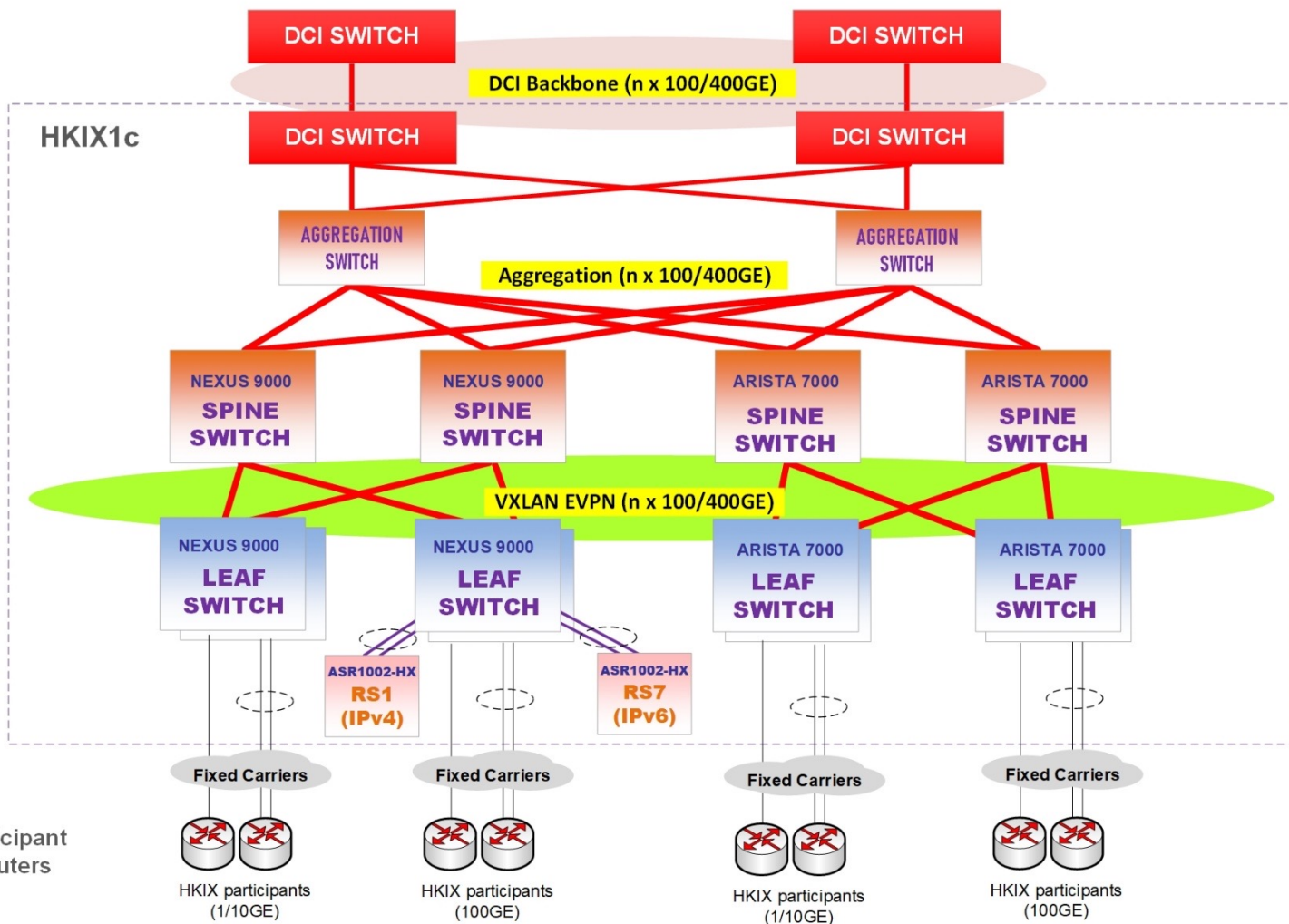
What is HKIX?

- Established in Apr 1995, [Hong Kong Internet eXchange \(HKIX\)](#) is the main layer-2 Internet eXchange Point (IXP) in Hong Kong where various autonomous systems interconnect with one another and exchange traffic
- HKIX is now owned and operated by the Hong Kong Internet eXchange Limited (a wholly-owned subsidiary of The Chinese University of Hong Kong Foundation Limited) in collaboration with [Information Technology Services Centre](#) of [The Chinese University of Hong Kong](#)
- HKIX serves both **commercial networks** and **Research and Education (R&E) networks**
- The original goal is to keep intra-Hong Kong traffic within Hong Kong

HKIX New Architecture (2021 and Beyond)



HKIX1c Network Diagram (Nov 2021)



Participant Routers

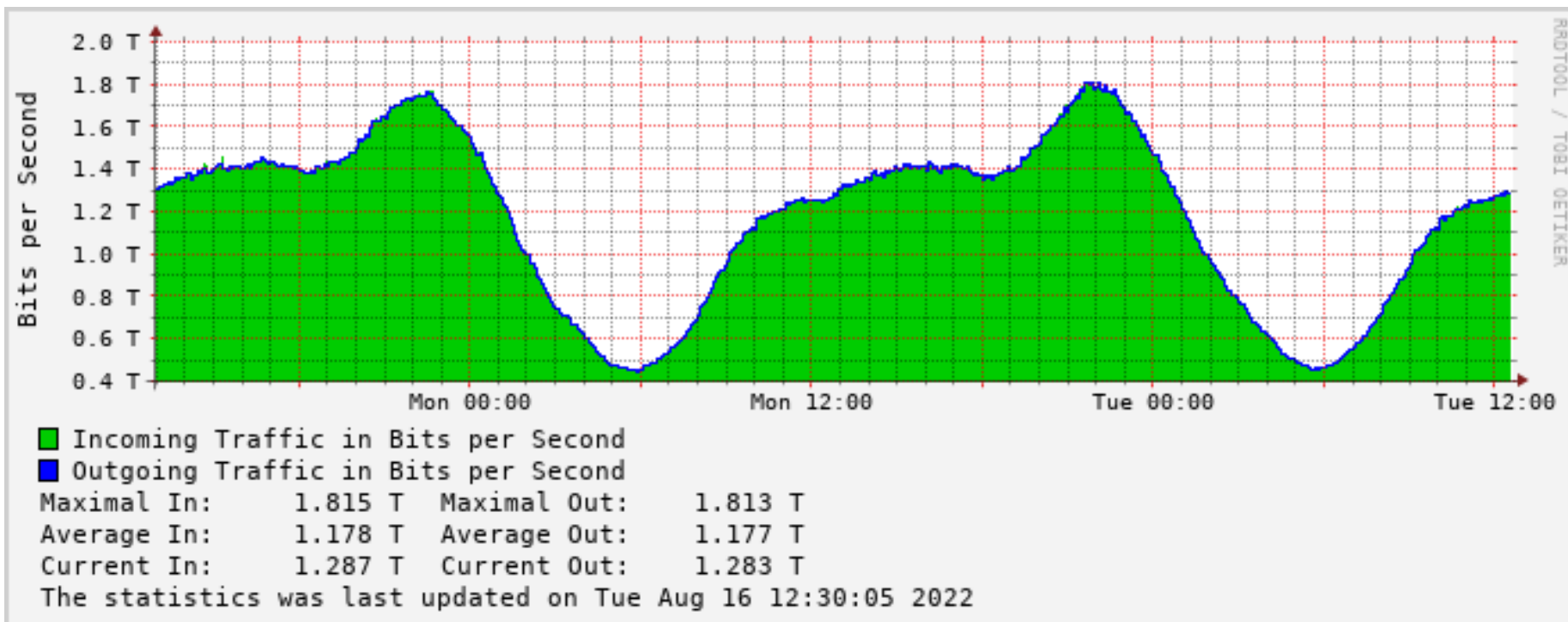
1. **HKIX1** and **HKIX1b** are the two core sites of HKIX at CUHK while **HKIX1c** is the core site and **HKIX2/3/3b/4/5** are HKIX satellite sites outside of CUHK.
2. HKIX participants are encouraged to connect to multiple sites for site resilience.

HKIX Today

- Supports both MLPA (Multilateral Peering) and BLPA (Bilateral Peering) over layer 2
- Supports IPv4/IPv6 dual-stack
- More and more non-HK participants
- 340+ different networks (autonomous systems) connected
- 550+ physical connections in total
 - 117 **100GE**, 310+ **10GE** & 110+ **GE**
- 2.29+Tbps (5-min) total traffic at peak
- Annual Traffic Growth **~30%**

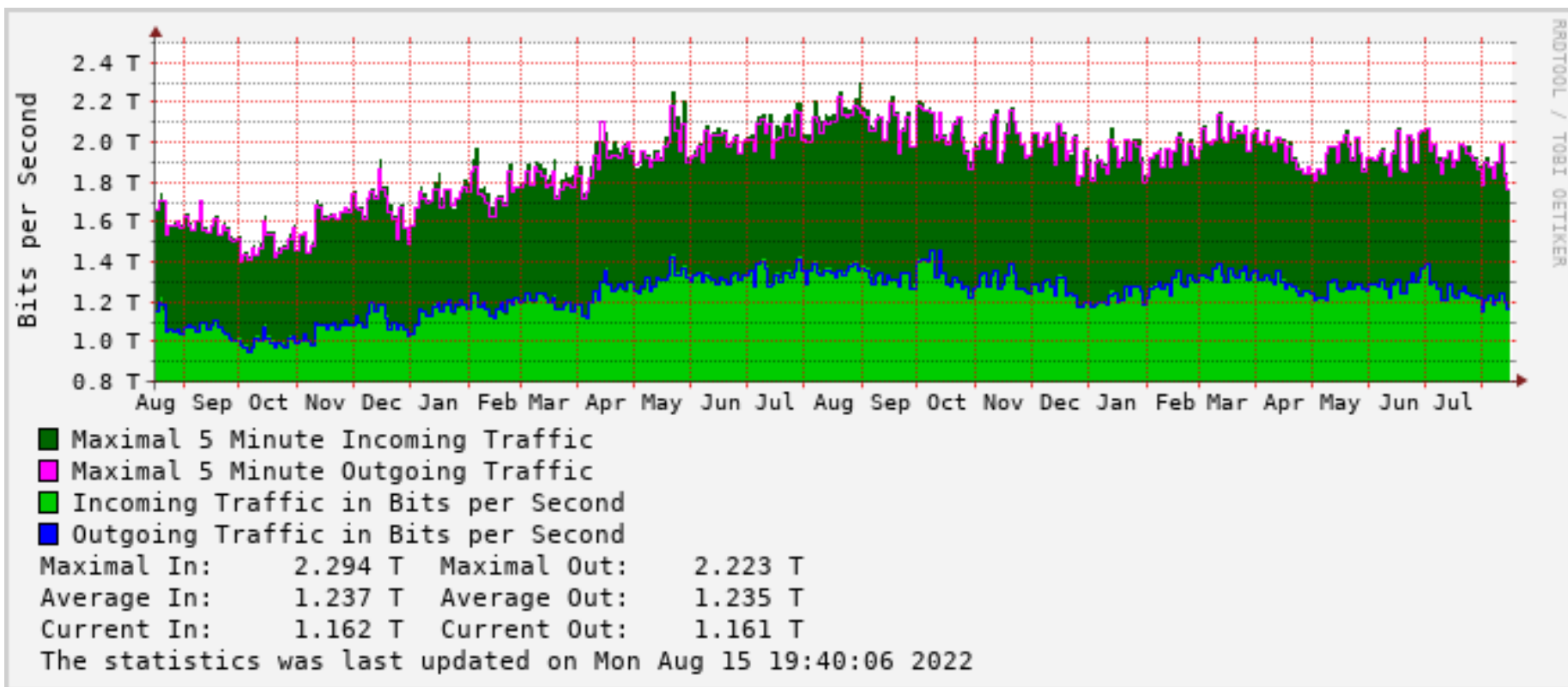
Current HKIX Traffic

Daily Graph (5-min average)



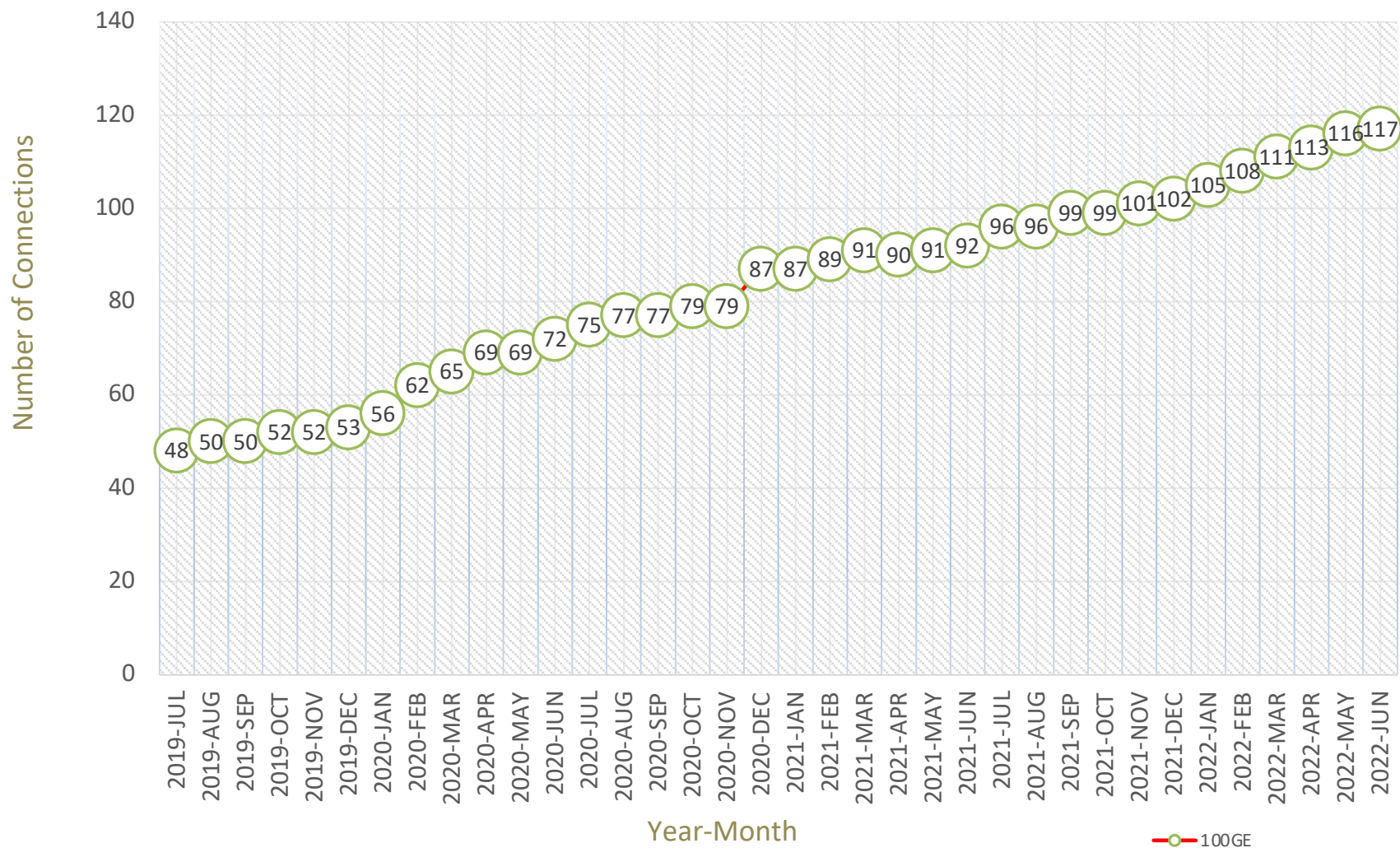
Current HKIX Traffic

Yearly Graph (1-day average)



100GE Connections at HKIX

Total HKIX 100G Ports Connected (2019 JUL - 2022 JUN)



● 100GE

HKIX 100GE Participants (1/3)

- ACORUS NETWORKS
- Advanced Wireless Network
- Akamai
- Akari Networks
- Alpha Networks
- Amazon
- BGP Consultancy
- BIGO TECHNOLOGY
- Bytedance
- China Mobile HK
- China Mobile Hong Kong Company Limited
- China Mobile International Limited
- China Unicom
- CloudFlare
- Continent 8 Technologies
- CONVERGE ICT SOLUTION
- Dataweb Global Group
- DDoS-Guard
- DITO Telecommunity
- Diyixian

HKIX 100GE Participants (2/3)

- Edge Network Services (Facebook)
- FPT TELECOM
- Google
- G-Core labs
- Globe Telecoms
- HKBN
- HUAWEI INTERNATIONAL
- Hurricane Electric
- Hutchison Global
- Hutchison Telephone
- I3D.net
- Limelight Networks
- Microsoft
- MYTEK
- Nathosts
- Netflix
- Nexus Guard
- Oriental Power
- PCCW Global
- PCCW IMS

HKIX 100GE Participants (3/3)

- PCCW-HKT
- RETN
- SK Broadband
- SKYCable
- TAOBAO
- Tcloudnet
- Telin
- Telstra
- TVB
- Udomain
- Valve
- Vocom International Telecommunication
- XLC Global
- Yahoo!
- Zenlayer
- Zscaler

HKIX's 100GE participants at a glance -1

Content Provider




















ISP Regional



















HKIX's 100GE participants at a glance -2

<u>ISP Local</u>	<u>Retail & Gaming</u>	<u>Anti-DDoS Provider</u>	<u>Data Centre</u>	<u>Others</u>
     	 	  	    <p>NATHOSTS</p>	     <p>MYTEK Trading</p>

Multiple HKIX Satellite Sites

- Allow participants to **connect to HKIX more easily at lower cost** with cross connect from those satellite sites in Hong Kong
- Collaborate with multiple data centres in HK which fulfilled our requirements so as to maintain neutrality which is the key success factor of HKIX
- Create a win-win situation with satellite site collaborators
- Named HKIX2/3/4/5/6/etc

Latest updates:

- HKIX2 has been migrated from old model to HKIX Satellite Site
- HKIX3/4/5 are new satellite sites and they are **Ready for Service** now
- HKIX3b is an extension of HKIX3 for resilience
- ***HKIX1 and HKIX1b are the two HKIX core sites located within CUHK Campus and HKIX1c is the new core site at Cyberport***

HKIX Reseller Program

- To provide one-stop-shop service by HKIX Resellers
- Non exclusive arrangement / resellers can be IXPs, Data Centres, local and regional ISPs
- Support Shared Port / Dedicated Port mode
- 1st batch of resellers is allowed to connect Satellite site only
- Resellers can connect to HKIX core sites now

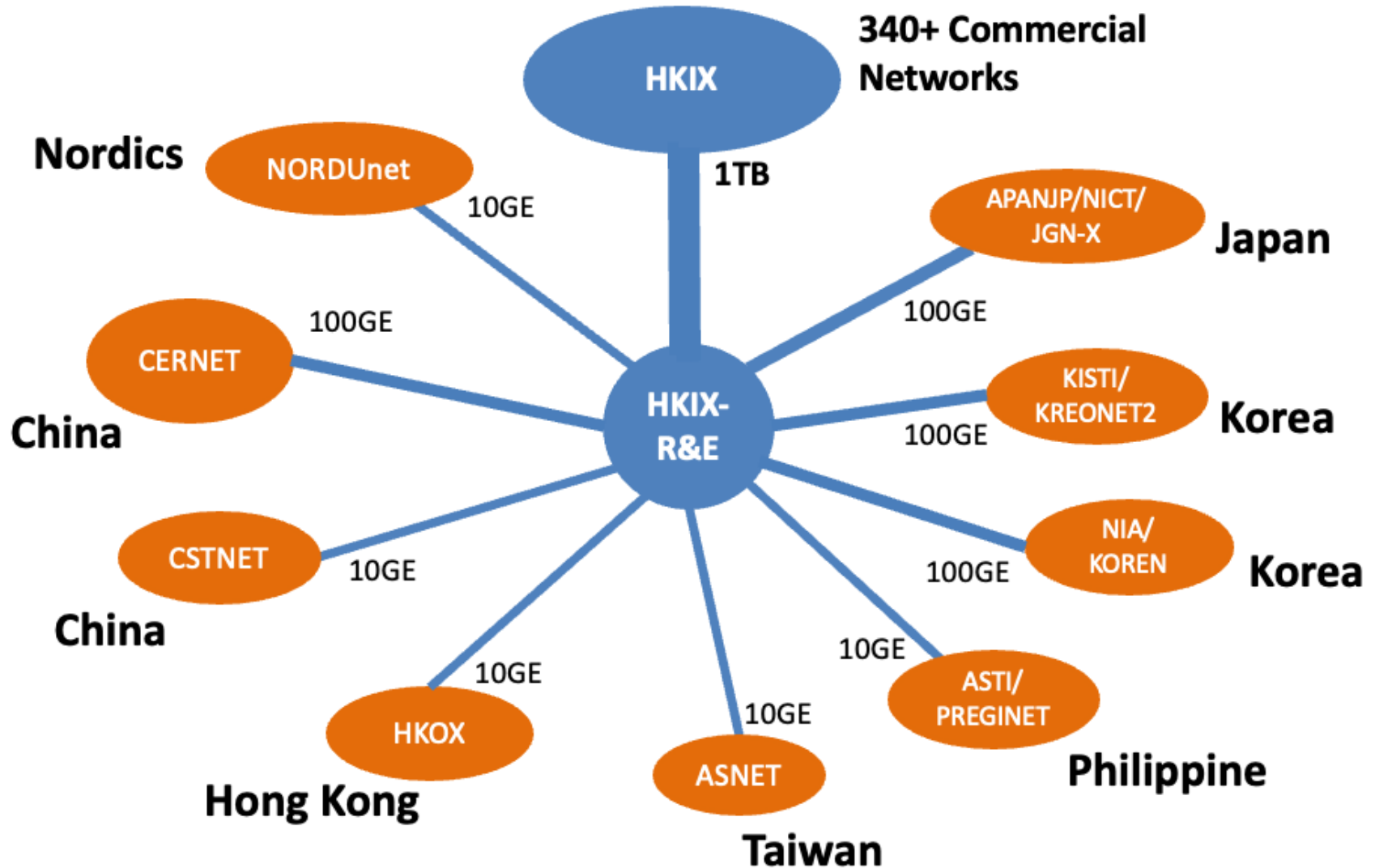
If you are interest be one of our resellers, please contact [info\[@\]hkix.net](mailto:info@hkix.net).



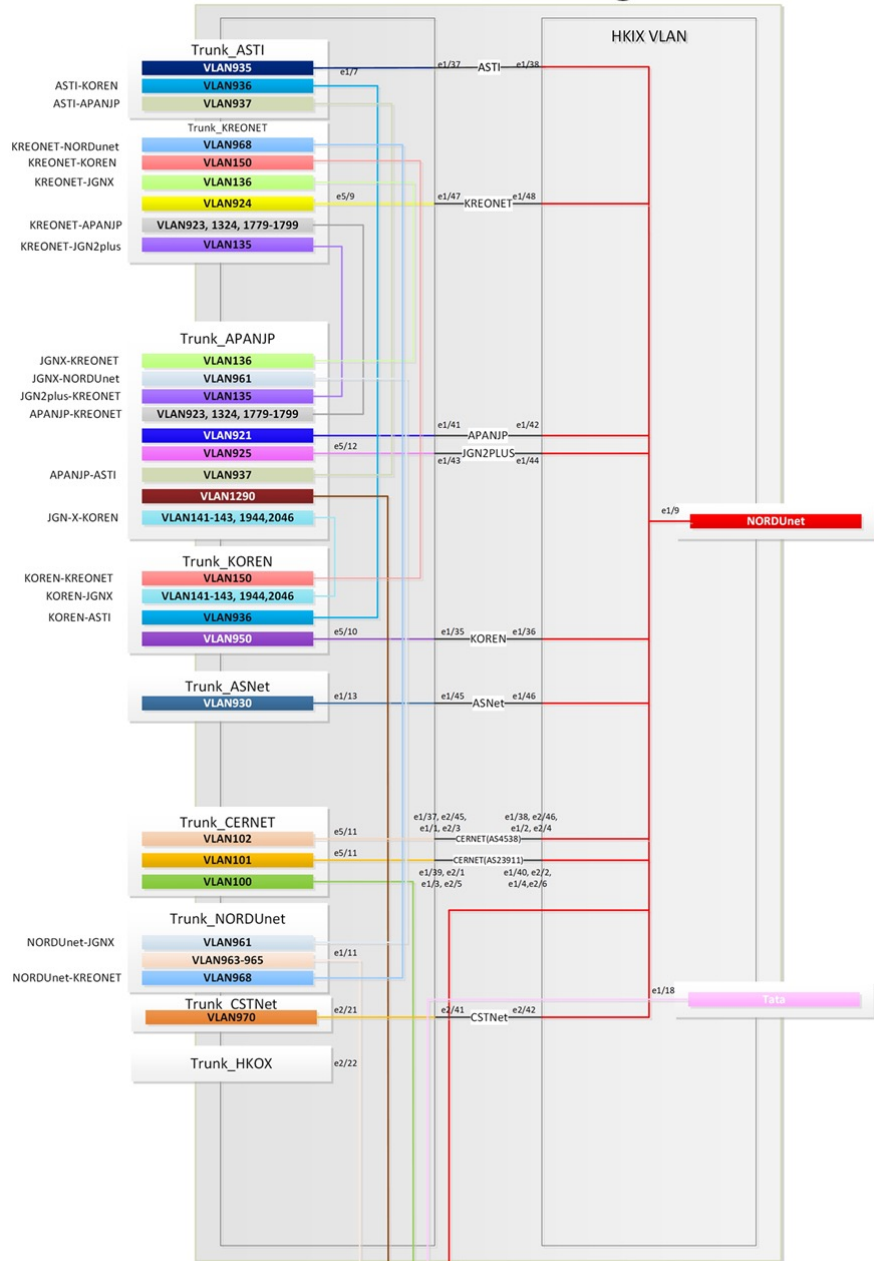
HKIX-R&E – Special Support for R&E Networks Having Presence in HK

- HKIX helps those R&E Networks interconnect among themselves and with commercial networks without restrictions via HKIX-R&E switch at MEGA-i
- The main purpose is to facilitate those National R&E Networks having presence in Hong Kong to do interconnections among themselves *and* do peering with commercial networks at HKIX more easily and at a lower cost.
- Started in 2008
- **Free of charge** (no port charge on HKIX-R&E switch and the connection to HKIX)
- Support GE/10GE/100GE Trunk Ports for R&E networks
- Support Point-to-point VLANs for R&E networks
 - For private interconnections among any 2 R&E networks
 - Jumbo Frame support
- Fiber Cross Connect to be provided by R&E networks
- 7x24 NOC support
- Operate by HKIX with the HKIX-R&E switch at MEGA-i
- Support R&E equipment colocation at HKIX/CUHK

HKIX-R&E Network Diagram



HKIX-R&E Network Diagram



FabricPath

To HKIX1/HKIX1b

Transit VLAN (Not HKIX-R&E related)
HKIX VLAN

HKIX-R&E Updates

- Nx100G Connections from MEGA-i to HKIX
 - Upgraded to **1T** (10x100G) in Q4/2021

HKIX-R&E Connections at MEGA-i



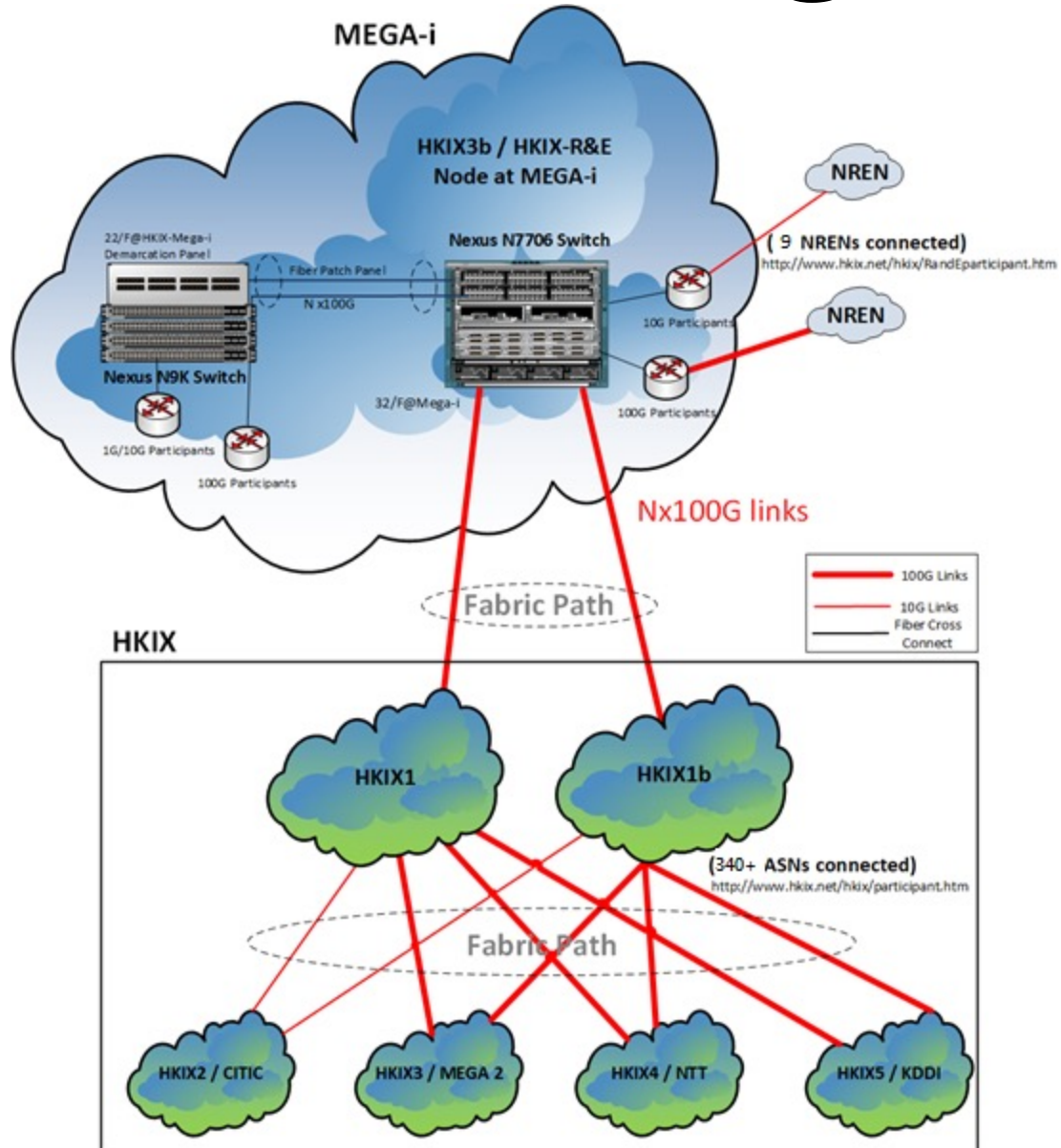
100GE :

- APANJP / NICT / JGN-X
- CERNET
- NIA / KOREN
- KISTI / KREONET2

10GE :

- ASNET
- ASTI / PREGINET
- CSTNET
- HKOX
- NORDUnet

HKIX Infrastructure @MEGA-i



HKIX Planned Works for 2022-23

- **Improved Stability**
 - Better Control of Proxy ARP
- **Improved Services**
 - Rollout portal for HKIX participants / R&E participants
 - True 24x7 NOC (both email & hotline support)
 - Improve after-hour support
 - Introduce advanced Route Server functions
 - perfSONAR server
 - 100GE Connections at HKIX
 - Automatic network filter update (support updates from IRR)
 - HKIX New Core Site
 - Network Operations & Command Center (NOCC) Setup in Cyberport
 - HKIX CRM Upgrade
 - 400GE Support at HKIX Core Sites
 - Enhanced portal services for participants
 - New open-source route server implementation
 - NTP server for HKIX participants
 - DWDM and dark fiber Between HKIX Core Sites
 - HKIX1 migration to HKIX1b/HKIX1c
 - OOKLA speed test node deployment at HKIX1c

HKIX Planned Works for 2022-23

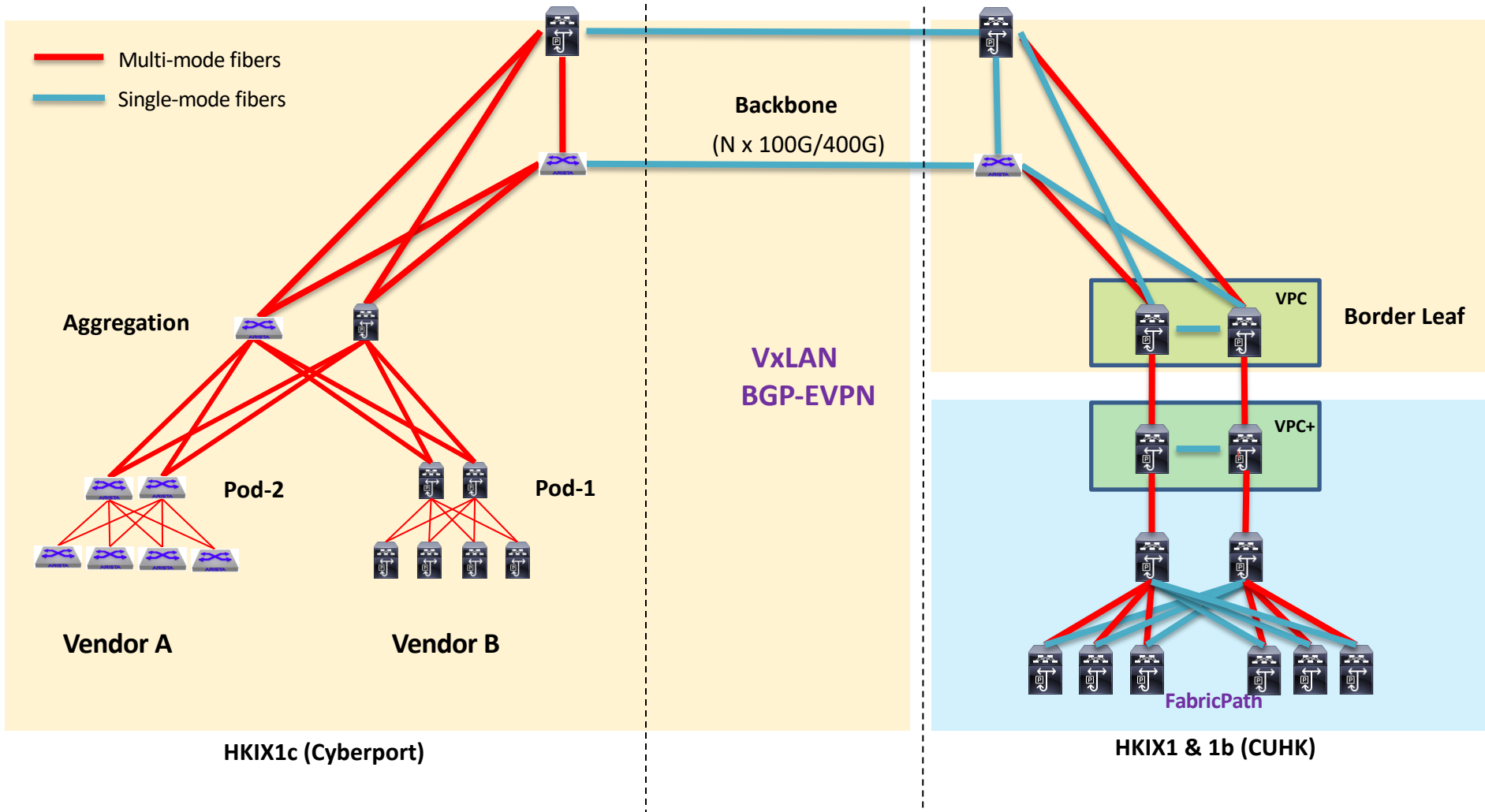
- **Improved Security**
 - ISO27001
 - Better support for DDoS mitigation
 - Implement RPKI on HKIX Route Servers to enhance routing security
 - Implement MANRS IXP Programme for routing security
 - Create AS-SET of HKIX
 - **Implement security operations center (SOC)**

* Working In Progress

HKIX Future Upgrade Plan

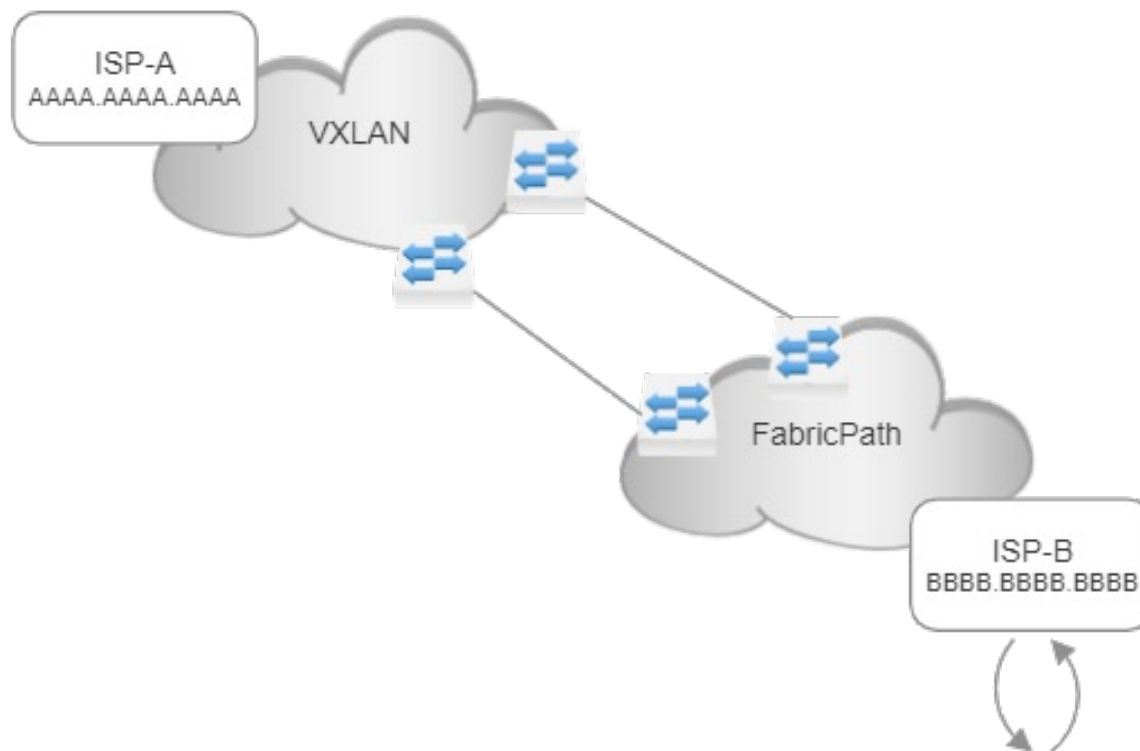
- HKIX-R&E switch upgrade to support of 400G connections
- Network traffic visibility
- Network automation with multiple vendors support

HKIX VXLAN EVPN deployment



HKIX VXLAN EVPN deployment

- Port Security is ON for AAAA.AAAA.AAAA only



- Port Security is ON for BBBB.BBBB.BBBB only
 - Loop-back traffic source from ISP-A

HKIX VXLAN EVPN deployment

- Issue:
 - ISP-B loop-back traffic source from ISP-A
- Problem 1:
 - FabricPath switch port's port-security is ON but cannot prevent its MAC learning of AAAA.AAAA.AAAA
- Problem 2:
 - VXLAN border leaf switches will not correct its CAM table when the looped traffic stopped
 - Syslog
 - %L2RIB-2-L2RIB_LOCAL_LEARNT_MAC_PRESENT_AS_REMOTE_STATIC: Locally learnt MAC AAAA.AAAA.AAAA in topology: # already present as remote static

HKIX VXLAN EVPN deployment

- Workaround:
 - EEM script at VXLAN border leaf switches to run below command when detect the syslog message
 - clear mac address-table dynamic address <mac-address>
- Solution:
 - Equipment vendor plan to release OS that will correct CAM table when the looped traffic stopped

IX name	Hong Kong Internet eXchange (HKIX)
City, Country	Hong Kong
Point of Presence	<p>Core Sites: HKIX1 & HKIX1b @CUHK / HKIX1c @Cyberport</p> <p>HKIX-R&E: HKIX-R&E@MEGA-i</p> <p>Satellite Sites: HKIX2@CITIC, HKIX3/HKIX3b@iAdvantage, HKIX4@NTT, HKIX5@KDDI</p>
# of connected ASN	345
Peak traffic	2.29Tbps
Route Servers	Yes (Cisco ASR1002-HX) for IPv4 and IPv6
RPKI / MANRS	Yes (both)
Remarks	<p>Website: https://www.hkix.net</p> <p>PeeringDB: https://www.peeringdb.com/ix/42</p> <p>Resellers: https://www.hkix.net/hkix/Resellers.htm</p>

Thank You!

For enquiries, please contact us at
info [at] hkix.net