



# HKIX Updates at APIX Meeting #19

*Kenneth CHAN*

*HKIX Team*

[www.hkix.net](http://www.hkix.net)

*24 Feb 2019, Daejeon*

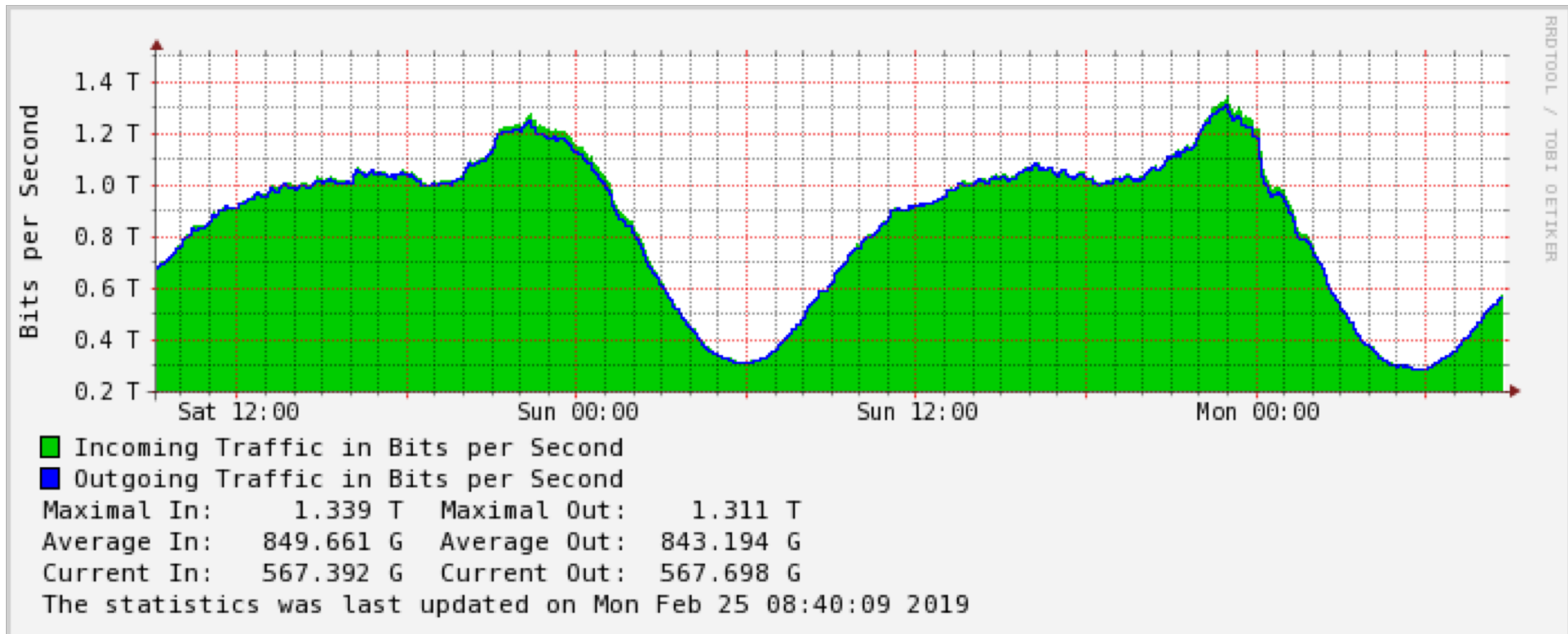
*APRICOT 2019*

# HKIX Today

- Supports both MLPA (Multilateral Peering) and BLPA (Bilateral Peering) over layer 2
- Supports IPv4/IPv6 dual-stack
- More and more non-HK participants
- 300+ different networks (autonomous systems) connected
- 510+ physical connections in total
  - 41 **100GE**, 320+ **10GE** & 150+ **GE**
- 1.34+Tbps (5-min) total traffic at peak
- Annual Traffic Growth **~30%**

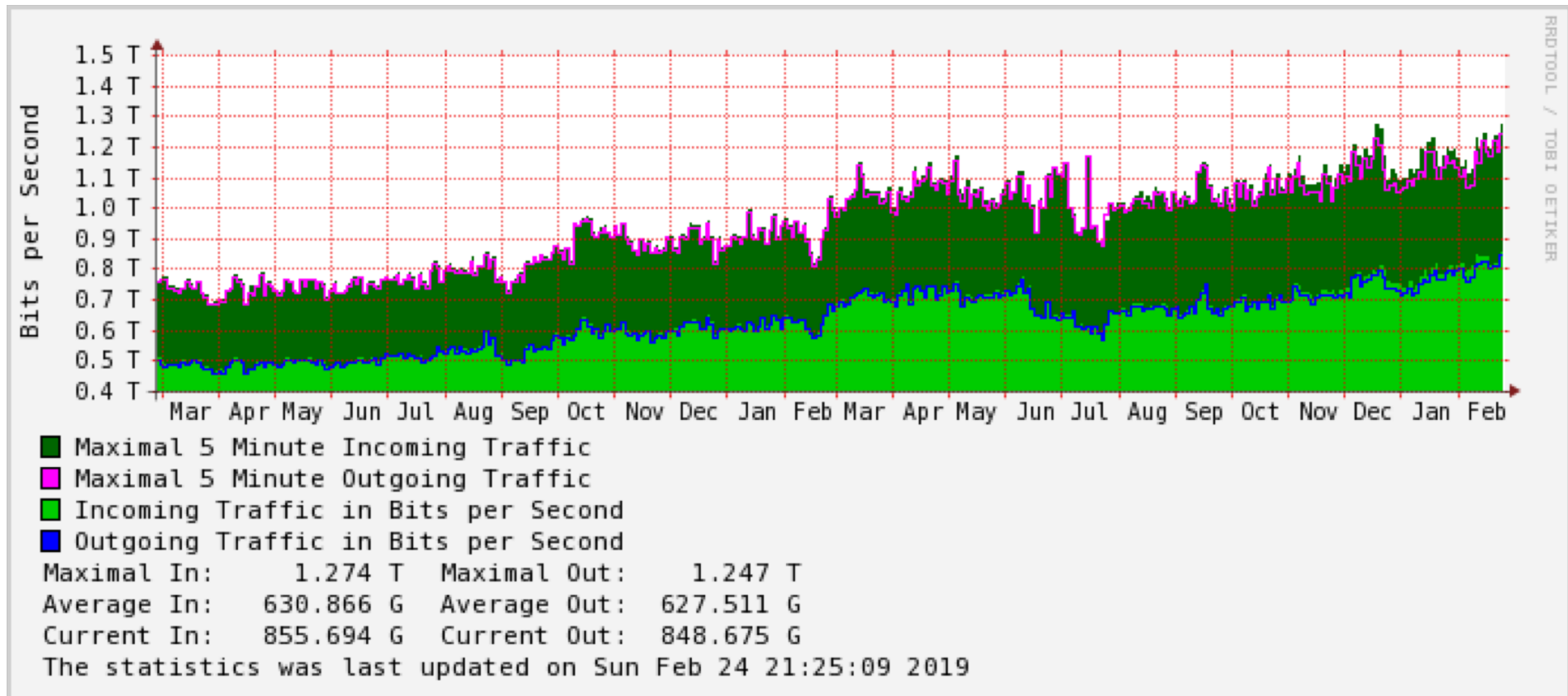
# Current HKIX Traffic

## Daily Graph (5-min average)

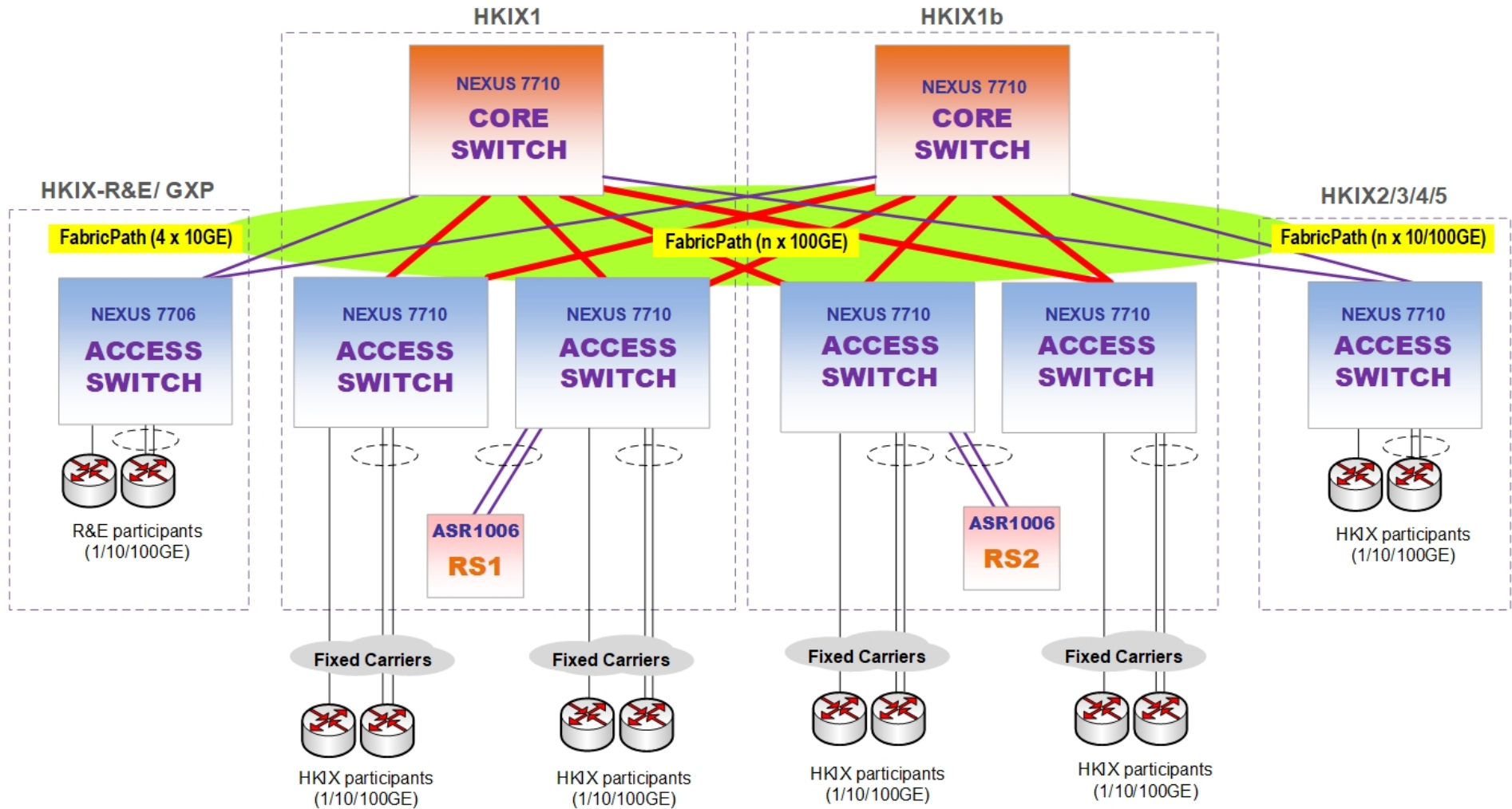


# Current HKIX Traffic

## Yearly Graph (1-day average)



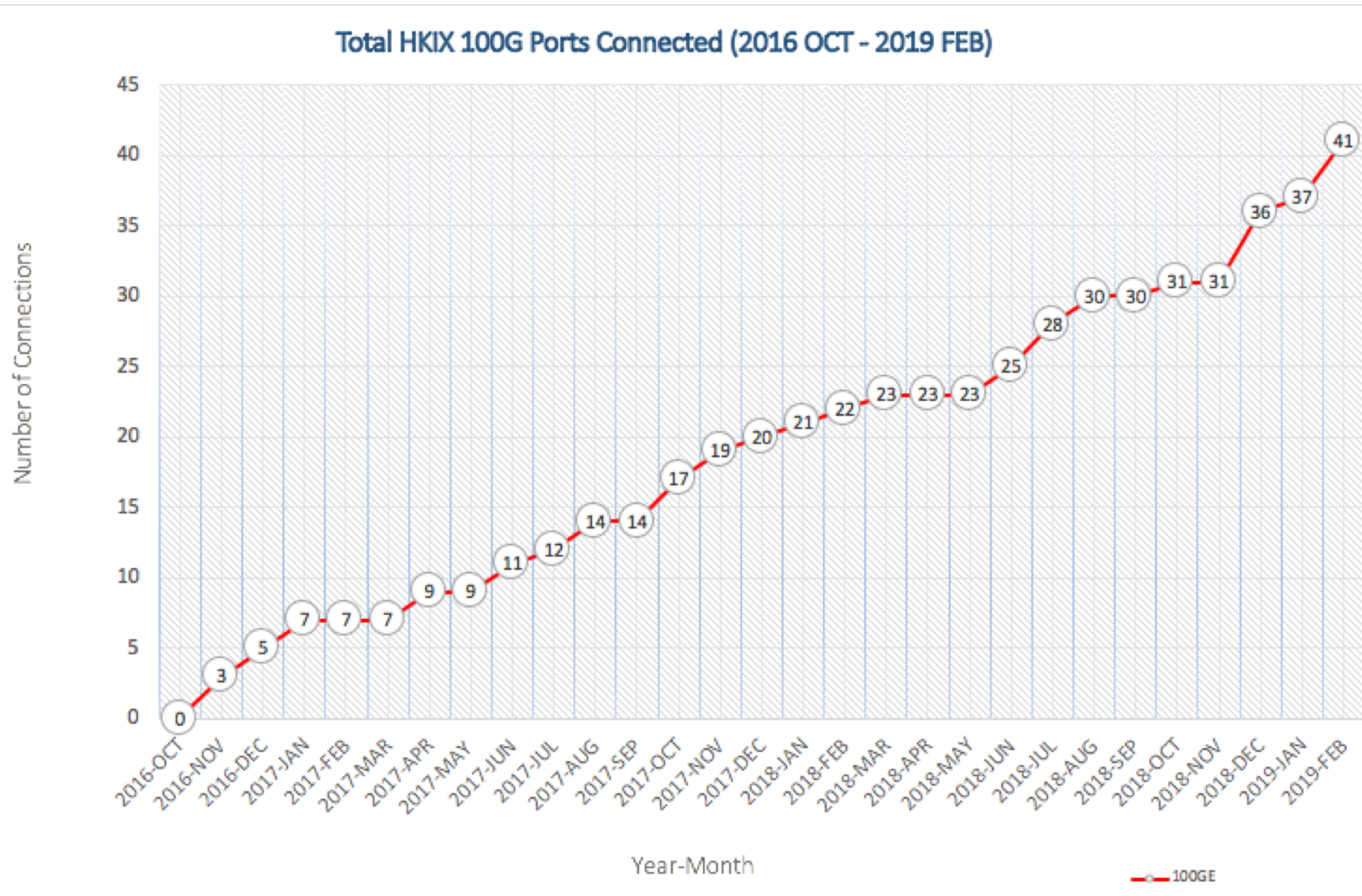
## HKIX Network Diagram (Apr 2018)



1. **HKIX1** and **HKIX1b** are the two core sites of HKIX at CUHK while **HKIX2/3/4/5** are HKIX satellite sites outside of CUHK.
2. HKIX participants are encouraged to connect to multiple sites for site resilience.



# Trend of 100GE connections





# HKIX 100GE Participants (1/2)

- Akamai
- Amazon
- AOFEI
- BGP Consultancy
- China Mobile HK
- China Mobile International
- CloudFlare
- Facebook
- Google
- HKBN
- Hurricane Electric
- Level 3
- Limelight

# HKIX 100GE Participants (2/2)



- Mytek
- PCCW IMS
- Telin
- Telstra
- Tencent
- TVB
- Udomain
- Valve
- Yahoo



# Setup Multiple HKIX Satellite Sites

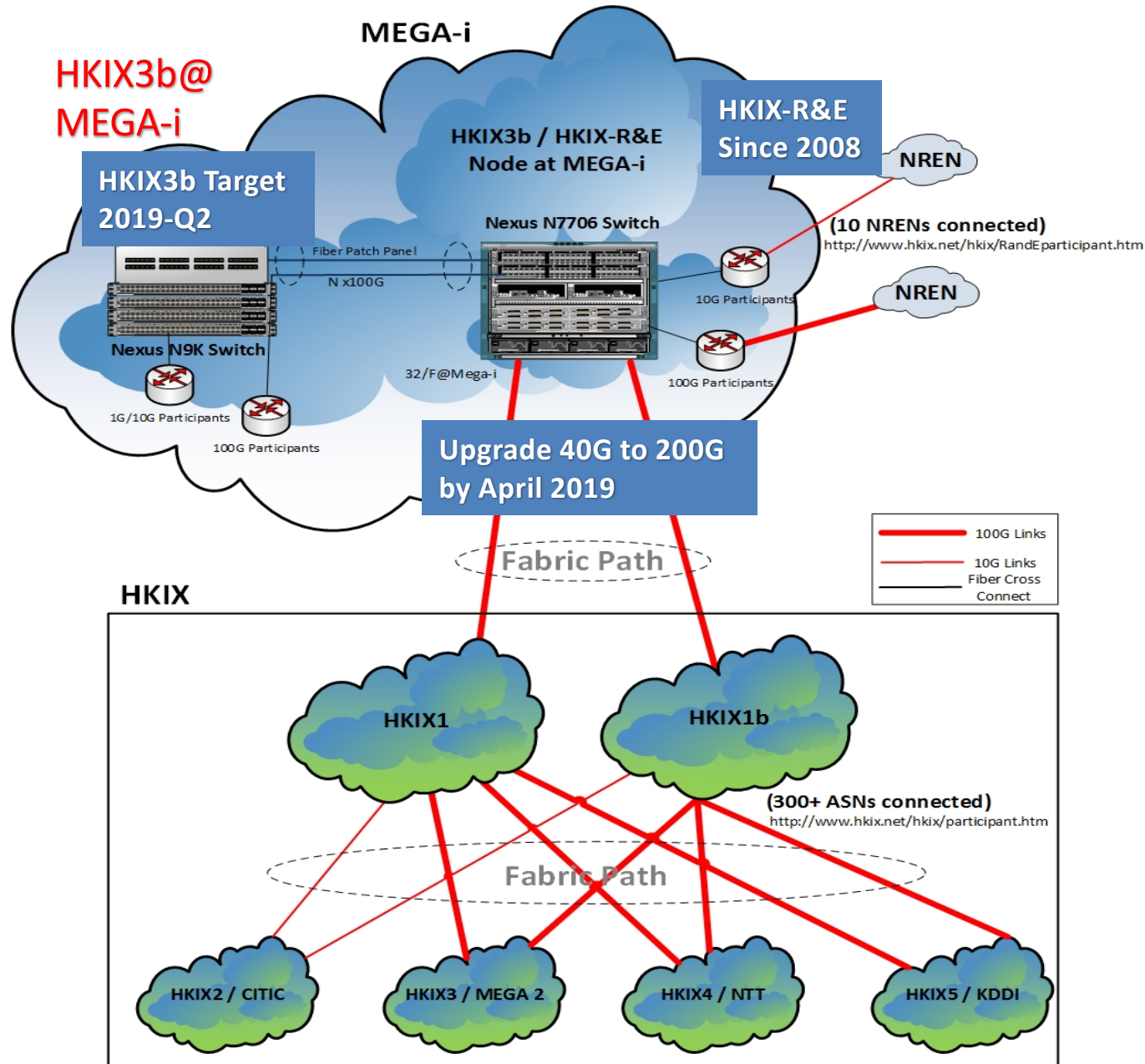
Hong Kong, 08 Feb 2017

HKIX announces that 3 new satellite sites will be established in collaboration with 3 commercial data centres which provide colocation services as well as easy connections to HKIX.

Satellite Site	Satellite Site Collaborator	District	Ports Supported	Status
HKIX2	<a href="#">CITIC Telecom International</a>	Kwai Chung	GE/10GE	
HKIX3	<a href="#">SUNeVision / iAdvantage</a>	Fo Tan	GE/10GE/100GE	100G Ready
HKIX4	<a href="#">NTT Com Asia</a>	Tseung Kwan O	GE/10GE/100GE	100G Ready
HKIX5	<a href="#">KDDI / Telehouse / HKCOLO.net</a>	Tseung Kwan O	GE/10GE/100GE	100G Ready

- For connections to HKIX at Satellite Sites, **special connection charges** will be charged by relevant operators, in addition to the **port charges** charged by HKIX.
- For HKIX participants not co-located at HKIX satellite sites, they can still connect to any of the two HKIX core sites, i.e. HKIX1 and HKIX1b sites by local loops via local loop providers.

# HKIX Upgrade Plan @MEGA-i



# HKIX Planned Works for 2019

- Improved Stability
  - Better Control of Proxy ARP
- Improved Services
  - Rollout portal for HKIX participants / R&E participants
  - True 24x7 NOC (both email & hotline support)
  - Improve after-hour support
  - Introduce advanced Route Server functions
  - Automatic network filter update (support updates from IRR)
  - **New HKIX Route Server**
  - **perfSONAR server**
- Improved Security
  - ISO27001
  - Better support for DDoS mitigation
  - **Implement MANRS IXP Programme for routing security**
  - **Implement RPKI on HKIX Route Servers to enhance routing security**

# HKIX Future Upgrade Plan

- Support of 400G connections
- Network traffic visibility
- Network automation
- EVPN (VXLAN)
  - Multiple vendors support
  - Unknown unicast suppression
  - VLAN translation

# HKIX



IX name	Hong Kong Internet eXchange
City, Country	Hong Kong
Point of Presence	<b>Core Sites:</b> <b>HKIX1 &amp; HKIX1b @CUHK</b>  <b>HKIX-R&amp;E:</b> HKIX-R&E@MEGA-i  <b>Satellite Sites:</b> <b>HKIX2@CITIC, HKIX3@iAdvantage, HKIX4@NTT, HKIX5@KDDI</b>
# of connected ASN	302
Peak traffic	1.34 Tbps
Route Servers	Yes (Cisco ASR1006)
Remarks	PeeringDB: <a href="https://www.peeringdb.com/ix/42">https://www.peeringdb.com/ix/42</a>

## •Information

- <http://www.hkix.net>
- [info@hkix.net](mailto:info@hkix.net)



# Thank You!

For enquiries, please contact us at  
**info [at] hkix.net**