



香港中文大學  
The Chinese University of Hong Kong

CENG3420

Lecture 09: Cache

**Bei Yu**

[byu@cse.cuhk.edu.hk](mailto:byu@cse.cuhk.edu.hk)

(Latest update: February 28, 2018)

Spring 2018

# Overview

Introduction

Direct Mapping

Associative Mapping

Replacement

Conclusion



# Overview

Introduction

Direct Mapping

Associative Mapping

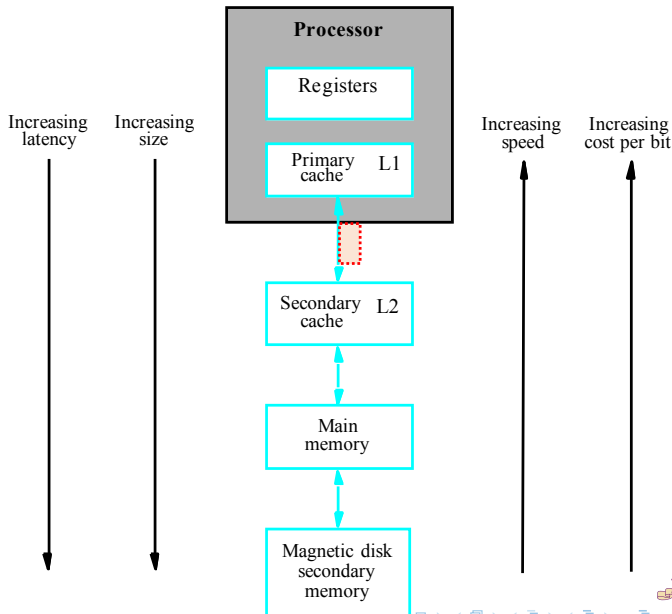
Replacement

Conclusion



# Memory Hierarchy

- ▶ **Aim:** to produce fast, big and cheap memory
- ▶ L1, L2 cache are usually SRAM
- ▶ Main memory is DRAM
- ▶ Relies on *locality of reference*



# Cache-Main Memory Mapping

- ▶ A way to record which part of the Main Memory is now in cache
- ▶ Synonym: Cache **line** == Cache **block**
- ▶ **Design concerns:**
  - ▶ Be **Efficient**: fast determination of cache hits/ misses
  - ▶ Be **Effective**: make full use of the cache; increase probability of cache hits

## Two questions to answer (in hardware)

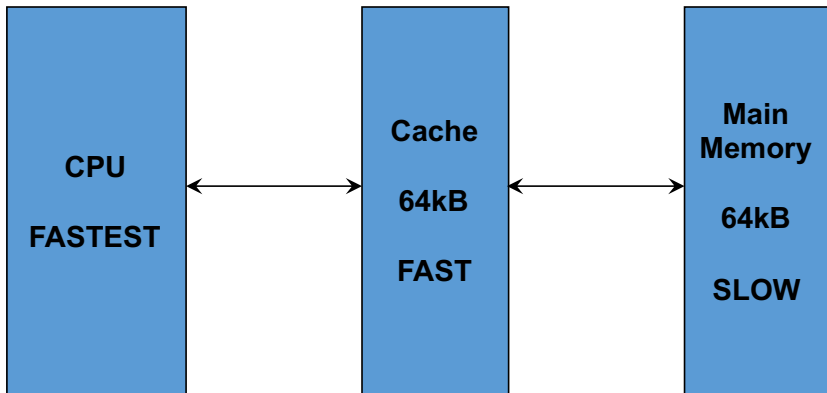
Q1 How do we know if a data item is in the cache?

Q2 If it is, how do we find it?



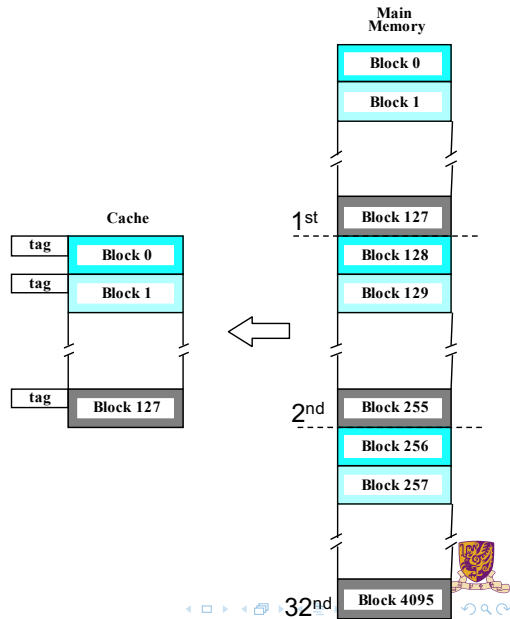
# Imagine: Trivial Conceptual Case

- ▶ Cache size == Main Memory size
- ▶ Trivial **one-to-one mapping**
- ▶ Do we need Main Memory any more?



# Reality: Cache Block / Cache Line

- ▶ Cache size is much smaller than the Main Memory size
- ▶ A block in the Main Memory maps to a block in the Cache
- ▶ **Many-to-One** Mapping



# Overview

Introduction

Direct Mapping

Associative Mapping

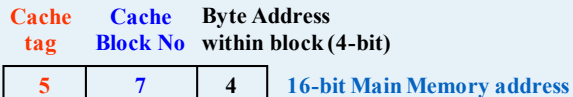
Replacement

Conclusion



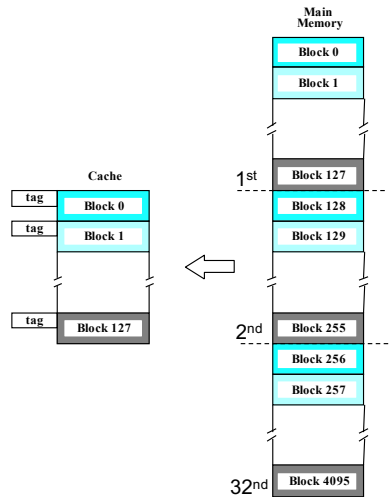


# Direct Mapping

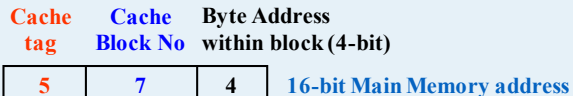


12-bit Main Memory  
Block number/ address

- ▶  $2^4 = 16$  bytes in a block
- ▶  $2^7 = 128$  Cache blocks
- ▶  $2^{(7+5)} = 4096$  main memory blocks



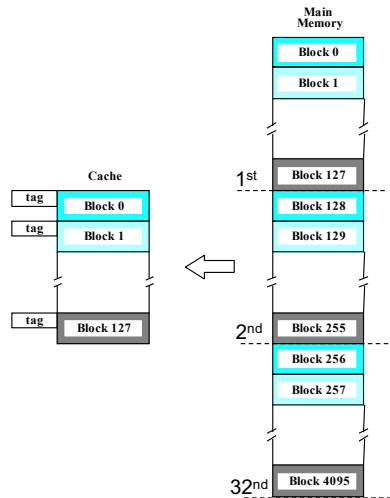
# Direct Mapping



12-bit Main Memory  
Block number/ address

- ▶  $2^4 = 16$  bytes in a block
- ▶  $2^7 = 128$  Cache blocks
- ▶  $2^{(7+5)} = 4096$  main memory blocks

- ▶ Block  $j$  of main memory maps to block  $(j \bmod 128)$  of Cache (same colour in figure)
- ▶ Cache hit occurs if tag matches desired address



# Direct Mapping

## Memory address divided into 3 fields

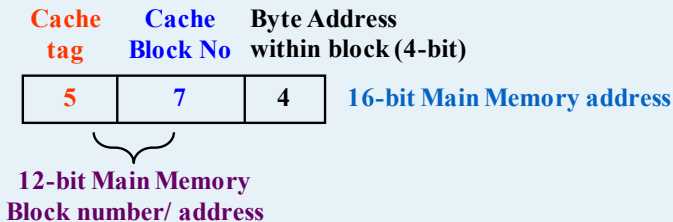
- ▶ Main Memory **Block number** determines position of block in cache
- ▶ **Tag** used to keep track of which block is in cache (as many MM blocks can map to same position in cache)
- ▶ The **last bits** in the address selects target word in the block

Example: given an address  $(t,b,w)$  (16-bit)

1. See if it is already in cache by comparing  $t$  with the tag in block  $b$
2. If not, cache miss! Replace the current block at  $b$  with a new one from memory block  $(t,b)$  (12-bit)



# Direct Mapping Example 1







1. CPU is looking for [A7B4] MAR = 1010011110110100
2. Go to cache block 1111011, see if the tag is 10100
3. If YES, cache hit!
4. Otherwise, get the block into cache row 1111011



















# Direct Mapping Example 2

## Cache

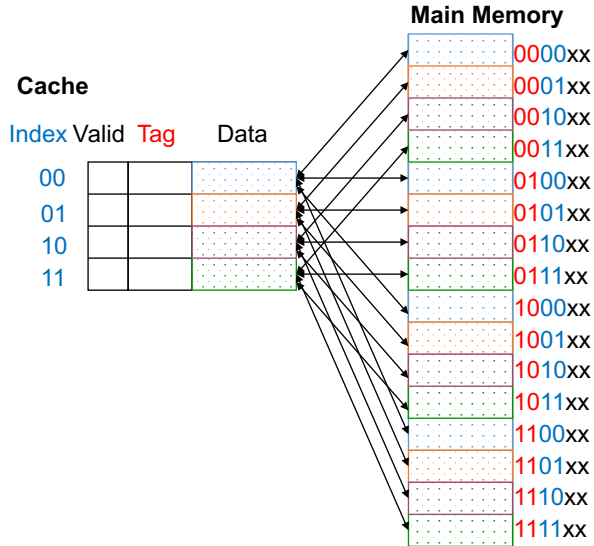
Index	Valid	Tag	Data
00			
01			
10			
11			

## Main Memory

	0000xx
	0001xx
	0010xx
	0011xx
	0100xx
	0101xx
	0110xx
	0111xx
	1000xx
	1001xx
	1010xx
	1011xx
	1100xx
	1101xx
	1110xx
	1111xx



# Direct Mapping Example 2







## Question: Direct Mapping Cache Hit Rate

Consider a 4-block empty Cache, and all blocks initially marked as `not valid`. Given the main memory word addresses “0 1 2 3 4 3 4 15”, calculate Cache hit rate.

### Cache

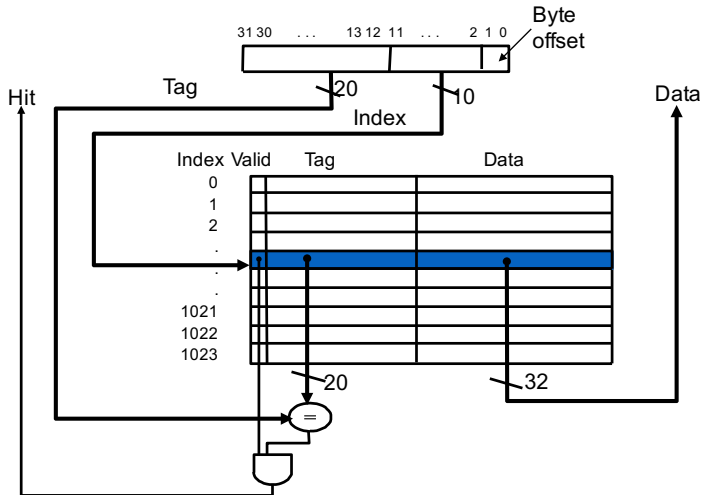
Index Valid Tag Data

00			
01			
10			
11			



## Example 3: MIPS

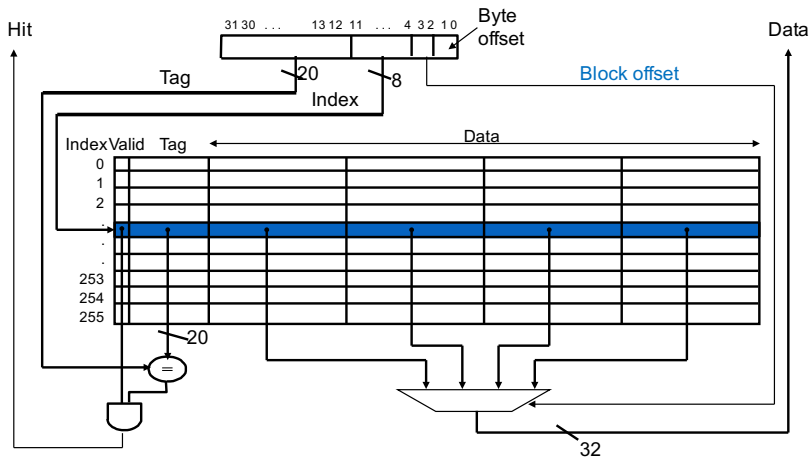
- ▶ One word blocks, cache size = 1K words (or 4KB)
- ▶ What kind of locality are we taking advantage of?





## Example 4: MIPS w. Multiword Block

- ▶ Four words/block, cache size = 1K words
- ▶ What kind of locality are we taking advantage of?



## Question: Multiword Direct Mapping Cache Hit Rate

Consider a 2-block empty Cache, and each block is with 2-words. All blocks initially marked as `not valid`. Given the main memory word addresses “0 1 2 3 4 3 4 15”, calculate Cache hit rate.

### Cache

Index	Tag	Data
00		
01		



# MIPS Cache Field Sizes

The number of bits includes both the storage for data and for the tags

- ▶ For a direct mapped cache with  $2^n$  blocks,  $n$  bits are used for the index
- ▶ For a block size of  $2^m$  words ( $2^{m+2}$  bytes),  $m$  bits are used to address the word within the block
- ▶  $2$  bits are used to address the byte within the word



# MIPS Cache Field Sizes

The number of bits includes both the storage for data and for the tags

- ▶ For a direct mapped cache with  $2^n$  blocks,  $n$  bits are used for the index
- ▶ For a block size of  $2^m$  words ( $2^{m+2}$  bytes),  $m$  bits are used to address the word within the block
- ▶ 2 bits are used to address the byte within the word

Size of the tag field?

$$32 - (n + m + 2)$$



# MIPS Cache Field Sizes

The number of bits includes both the storage for data and for the tags

- ▶ For a direct mapped cache with  $2^n$  blocks,  $n$  bits are used for the index
- ▶ For a block size of  $2^m$  words ( $2^{m+2}$  bytes),  $m$  bits are used to address the word within the block
- ▶ 2 bits are used to address the byte within the word

## Size of the tag field?

$$32 - (n + m + 2)$$

## Total number of bits in a direct-mapped cache

$$2^n \times (\text{block size} + \text{tag field size} + \text{valid field size})$$



## Question: Bit number in a Cache

How many total bits are required for a direct mapped cache with 16KB of data and 4-word blocks assuming a 32-bit address?



# Overview

Introduction

Direct Mapping

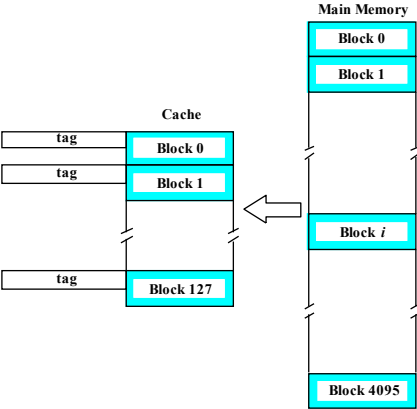
**Associative Mapping**

Replacement

Conclusion



# Associative Mapping



- ▶ An MM block can be in **arbitrary** Cache block location
- ▶ In this example, all 128 tag entries must be compared with the address **Tag** in parallel (by hardware)





# Associative Mapping Example

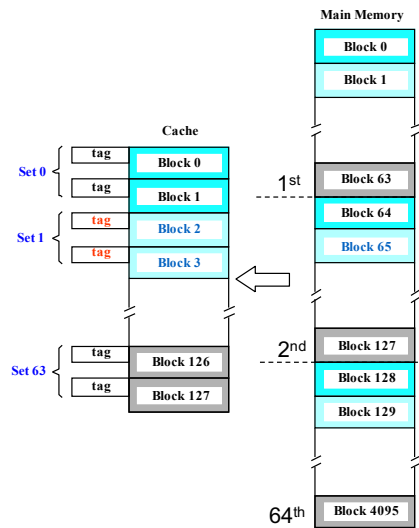
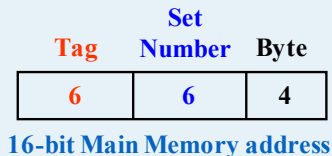
Tag	Byte
12	4

16-bit Main Memory address

1. CPU is looking for [A7B4] MAR = 1010011110110100
2. See if the tag 101001111011 matches one of the 128 cache tags
3. If YES, cache hit!
4. Otherwise, get the block into BINGO cache row



# Set Associative Mapping



Example: 2-way set associative

- ▶ Combination of direct and associative
- ▶  $(j \bmod 64)$  derives the Set Number
- ▶ A cache with k-blocks per set is called a **k-way** set associative cache.



# Set Associative Mapping Example 1

Tag	Set Number	Byte
6	6	4

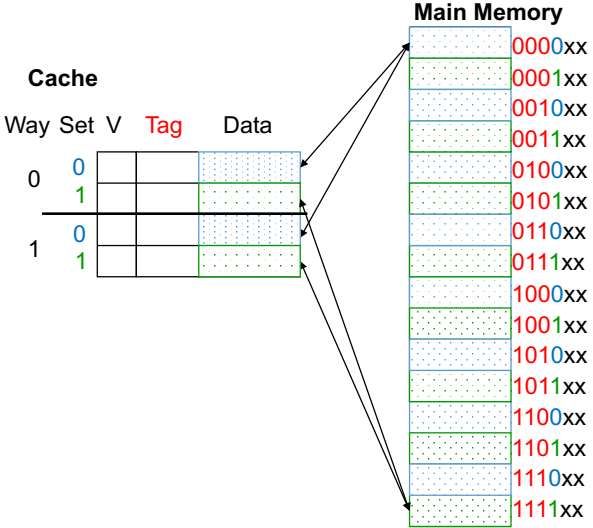
16-bit Main Memory address

## E.g. 2-Way Set Associative:

1. CPU is looking for [A7B4] MAR = 1010011110110100
2. Go to cache Set 111011 ( $59_{10}$ )
  - ▶ Block 1110110 ( $118_{10}$ )
  - ▶ Block 1110111 ( $119_{10}$ )
3. See if ONE of the TWO tags in the Set 111011 is 101001
4. If YES, cache hit!
5. Get the block into BINGO cache row



# Set Associative Mapping Example 2



## Question: Direct Mapping v.s. 2-Way Set Associate

Consider the following two empty caches, calculate Cache hit rates for the reference word addresses: "0 4 0 4 0 4 0 4"

**Cache**

Index	Valid	Tag	Data
00			
01			
10			
11			

(a)

**Cache**

Set	Tag	Data
0		
1		
0		
1		

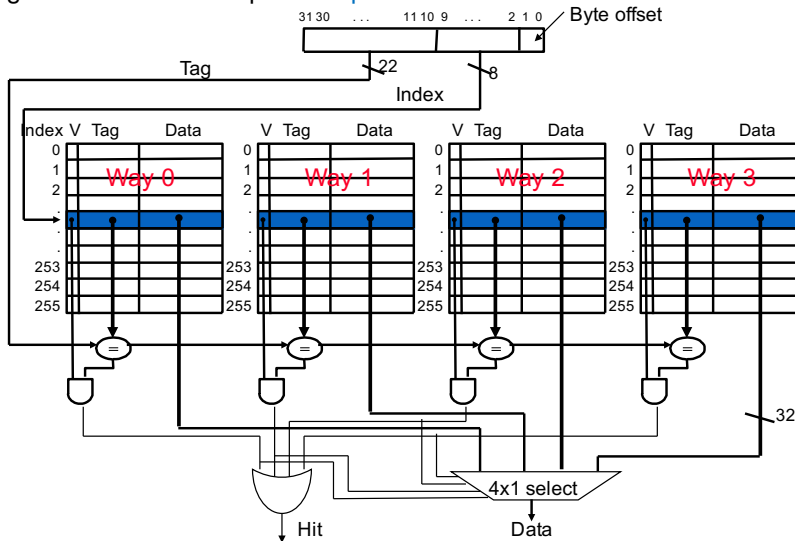
(b)

(a) Direct Mapping; (b) 2-Way Set Associative.



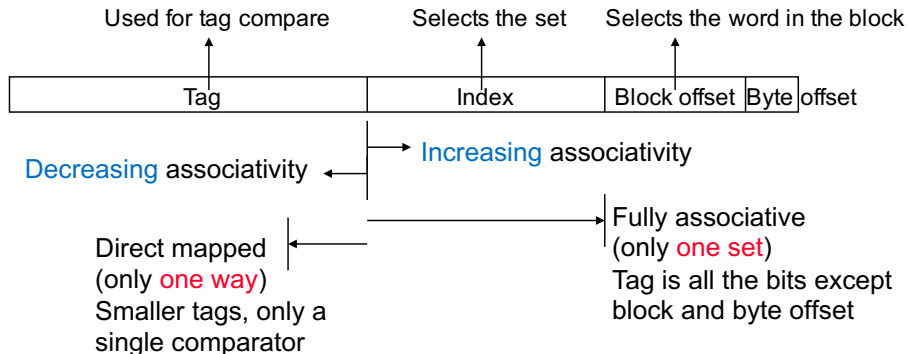
# Set Associative Mapping Example 3: MIPS

- ▶  $2^8 = 256$  sets each with **four** ways (each with one block).
- ▶ four tags in the set are compared in **parallel**.



# Range of Set Associative Caches

For a fixed size cache:



# Overview

Introduction

Direct Mapping

Associative Mapping

**Replacement**

Conclusion





# Handling Cache Read

- ▶ I\$ and D\$
- ▶ Read **hit**: what we want!
- ▶ Read **miss**: **stall** the pipeline, fetch the block from the next level in the memory hierarchy, install it in the cache and send the requested word to the processor, then let the pipeline resume.



# Handling Cache Write Hits

Only D\$

## Case 1: Write-Through

- ▶ Cache and memory to be **consistent**
- ▶ always write the data into both the cache block and the next level in the memory hierarchy
- ▶ Speed-up: use **write buffer** and stall only when buffer is full

## Case 2: Write-Back

- ▶ Write the data **only** into the cache block
- ▶ Write to memory hierarchy when that cache block is “**evicted**”
- ▶ Need a **dirty** bit for each data cache block



# Handling Cache Write Misses

## Case 1: Write-Through caches with a write buffer

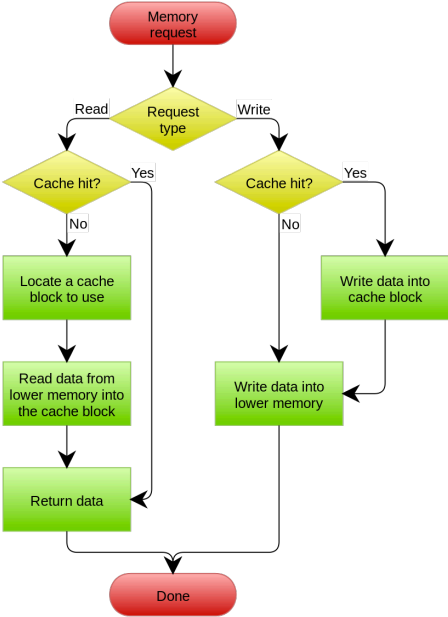
- ▶ **No-write allocate**
- ▶ skip the cache write (but must invalidate that cache block since it will now hold stale data)
- ▶ just write the word to the write buffer (and eventually to the next memory level)
- ▶ **no need** to stall if the write buffer isn't full

## Case 2: Write-Back caches

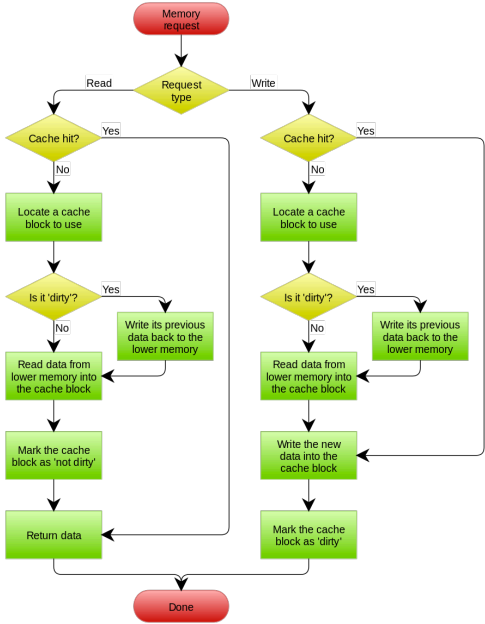
- ▶ **Write allocate**
- ▶ Just write the word into the cache updating both the tag and data
- ▶ **no need** to check for cache hit
- ▶ **no need** to stall



# Write-Through Cache with No-Write Allocation



# Write-Back Cache with Write Allocation



# Replacement Algorithms

## Direct Mapping

- ▶ Position of each block fixed
- ▶ Whenever replacement is needed (i.e. cache miss  $\rightarrow$  new block to load), the choice is obvious and thus **no** “replacement algorithm” is needed

## Associative and Set Associative

- ▶ Need to decide which block to replace
- ▶ Keep/retain ones likely to be used in near future again



# Associative & Set Associative Replacement

## Strategy 1: Least Recently Used (LRU)

- ▶ e.g. for a 4-block/set cache, use a  $\log_2 4 = 2$  bit counter for each block
- ▶ Reset the counter to 0 whenever the block is accessed
- ▶ counters of other blocks in the same set should be incremented
- ▶ On cache miss, replace/ uncache a block with counter reaching 3



# Associative & Set Associative Replacement

## Strategy 1: Least Recently Used (LRU)

- ▶ e.g. for a 4-block/set cache, use a  $\log_2 4 = 2$  bit counter for each block
- ▶ Reset the counter to 0 whenever the block is accessed
- ▶ counters of other blocks in the same set should be incremented
- ▶ On cache miss, replace/ uncache a block with counter reaching 3

## Strategy 2: Random Replacement

- ▶ Choose random block
- ▶ 😊 Easier to implement at high speed





# Cache Example

```
short A[10][4];
int sum = 0;
int j, i;
double mean;

// forward loop
for (j = 0; j <= 9; j++)
    sum += A[j][0];

mean = sum / 10.0;

// backward loop
for (i = 9; i >= 0; i--)
    A[i][0] = A[i][0]/mean;
```

- ▶ Assume separate instruction and data caches
- ▶ So we consider only the data
- ▶ Cache has space for 8 blocks
- ▶ A block contains one word (byte)
- ▶  $A[10][4]$  is an array of words located at 7A00-7A27 in row-major order



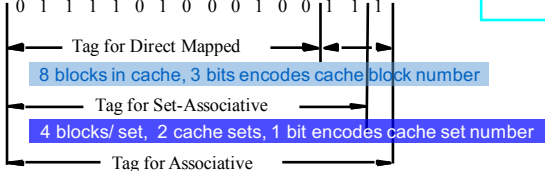
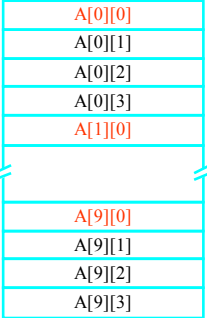
# Cache Example

Memory word address in hex

Memory word **address** in binary

Array Contents (40 elements)

(7A00)	0 1 1 1 1 0 1 0 0 0 0 0 0 0 0 0
(7A01)	0 1 1 1 1 0 1 0 0 0 0 0 0 0 0 1
(7A02)	0 1 1 1 1 0 1 0 0 0 0 0 0 0 1 0
(7A03)	0 1 1 1 1 0 1 0 0 0 0 0 0 0 1 1
(7A04)	0 1 1 1 1 0 1 0 0 0 0 0 0 1 0 0
	⋮
(7A24)	0 1 1 1 1 0 1 0 0 0 1 0 0 1 0 0
(7A25)	0 1 1 1 1 0 1 0 0 0 1 0 0 1 0 1
(7A26)	0 1 1 1 1 0 1 0 0 0 1 0 0 1 1 0
(7A27)	0 1 1 1 1 0 1 0 0 0 1 0 0 1 1 1



To simplify discussion: 16-bit word (byte) address; i.e. 1 word = 1 byte.



# Direct Mapping

- ▶ Least significant 3-bits of address determine location
- ▶ No replacement algorithm is needed in Direct Mapping
- ▶ When  $i == 9$  and  $i == 8$ , get a cache hit (2 hits in total)
- ▶ Only 2 out of the 8 cache positions used
- ▶ Very inefficient cache utilization

		Content of data cache after loop pass: (time line)																				
		j=0	j=1	j=2	j=3	j=4	j=5	j=6	j=7	j=8	j=9	i=9	i=8	i=7	i=6	i=5	i=4	i=3	i=2	i=1	i=0	
Cache Block number	0	A[0][0]	A[0][0]	A[2][0]	A[2][0]	A[4][0]	A[4][0]	A[6][0]	A[6][0]	A[8][0]	A[8][0]	A[8][0]	A[8][0]	A[8][0]	A[6][0]	A[6][0]	A[4][0]	A[4][0]	A[2][0]	A[2][0]	A[0][0]	
	1																					
	2																					
	3																					
	4		A[1][0]	A[1][0]	A[3][0]	A[3][0]	A[5][0]	A[5][0]	A[7][0]	A[7][0]	A[9][0]	A[9][0]	A[9][0]	A[9][0]	A[7][0]	A[7][0]	A[5][0]	A[5][0]	A[3][0]	A[3][0]	A[1][0]	A[1][0]
	5																					
	6																					
	7																					

Tags not shown but are needed.





# Set Associative Mapping

- ▶ Since all accessed blocks have even addresses (7A00, 7A04, 7A08, ...), only half of the cache is used, i.e. they all map to set 0
- ▶ LRU replacement policy: get hits for  $i = 9, 8, 7$  and 6
- ▶ Random replacement would have better average performance
- ▶ If  $i$  loop was a forward one, we would get **no** hits!

		Content of data cache after loop pass: (time line)																		
		j=0	j=1	j=2	j=3	j=4	j=5	j=6	j=7	j=8	j=9	i=9	i=8	i=7	i=6	i=5	i=4	i=3	i=2	i=1
Set 0	0	A[0][0]	A[0][0]	A[0][0]	A[0][0]	A[4][0]	A[4][0]	A[4][0]	A[4][0]	A[8][0]	A[8][0]	A[8][0]	A[8][0]	A[8][0]	A[8][0]	A[8][0]	A[8][0]	A[8][0]	A[8][0]	A[8][0]
	1		A[1][0]	A[1][0]	A[1][0]	A[1][0]	A[5][0]	A[5][0]	A[5][0]	A[5][0]	A[9][0]	A[9][0]	A[9][0]	A[9][0]	A[9][0]	A[9][0]	A[9][0]	A[9][0]	A[9][0]	A[9][0]
	2			A[2][0]	A[2][0]	A[2][0]	A[2][0]	A[6][0]	A[6][0]	A[6][0]	A[6][0]	A[6][0]	A[6][0]	A[6][0]	A[6][0]	A[6][0]	A[6][0]	A[6][0]	A[6][0]	A[6][0]
	3				A[3][0]	A[3][0]	A[3][0]	A[3][0]	A[7][0]	A[7][0]	A[7][0]	A[7][0]	A[7][0]	A[7][0]	A[7][0]	A[7][0]	A[7][0]	A[7][0]	A[7][0]	A[7][0]
Set 1	4																			
	5																			
	6																			
	7																			

Tags not shown but are needed; LRU Counters not shown but are needed.



# Comments on the Example

- ▶ In this example, Associative is best, then Set-Associative, lastly Direct Mapping.
- ▶ What are the advantages and disadvantages of each scheme?
- ▶ In practice,
  - ▶ Low hit rates like in the example is very rare.
  - ▶ Usually **Set-Associative with LRU replacement** scheme is used.
- ▶ Larger blocks and more blocks greatly improve cache hit rate, i.e. more cache memory



# Overview

Introduction

Direct Mapping

Associative Mapping

Replacement

Conclusion



# Conclusion

- ▶ Cache Organizations:  
Direct, Associative, Set-Associative
- ▶ Cache Replacement Algorithms:  
Random, Least Recently Used
- ▶ Cache Hit and Miss Penalty

