

# HKIX Development and HKIX-R&E Updates at APAN 52

*Kenneth Lo / Ryan Ng*

*HKIX Team*

[www.hkix.net](http://www.hkix.net)

*02-06 Aug 2021, Yogyakarta*

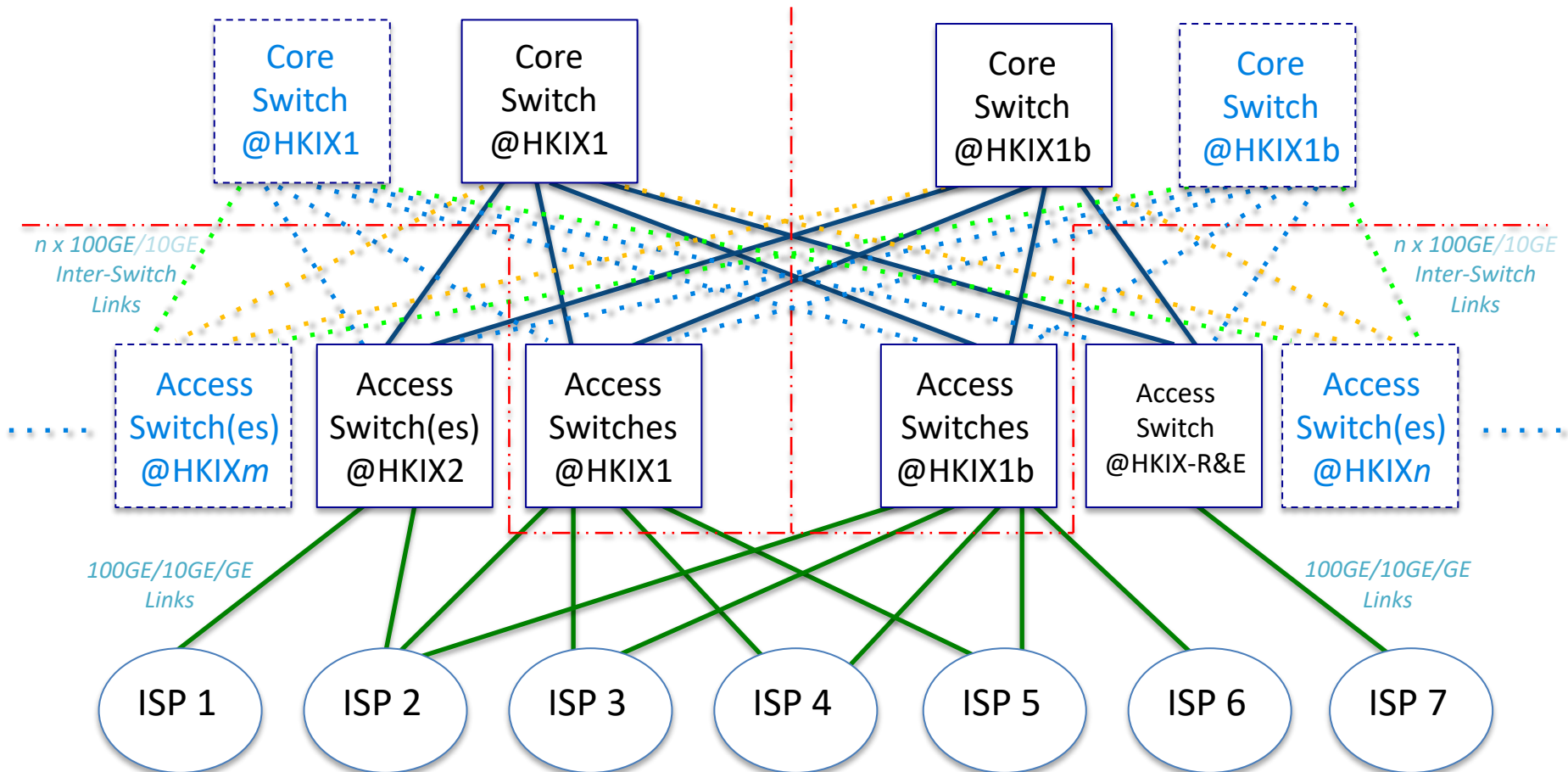
# What is HKIX?

- Established in Apr 1995, [Hong Kong Internet eXchange \(HKIX\)](#) is the main layer-2 Internet eXchange Point (IXP) in Hong Kong where various autonomous systems interconnect with one another and exchange traffic
- HKIX is now owned and operated by the Hong Kong Internet eXchange Limited (a wholly-owned subsidiary of The Chinese University of Hong Kong Foundation Limited) in collaboration with [Information Technology Services Centre](#) of [The Chinese University of Hong Kong](#)
- HKIX serves both **commercial networks** and **Research and Education (R&E) networks**
- The original goal is to keep intra-Hong Kong traffic within Hong Kong

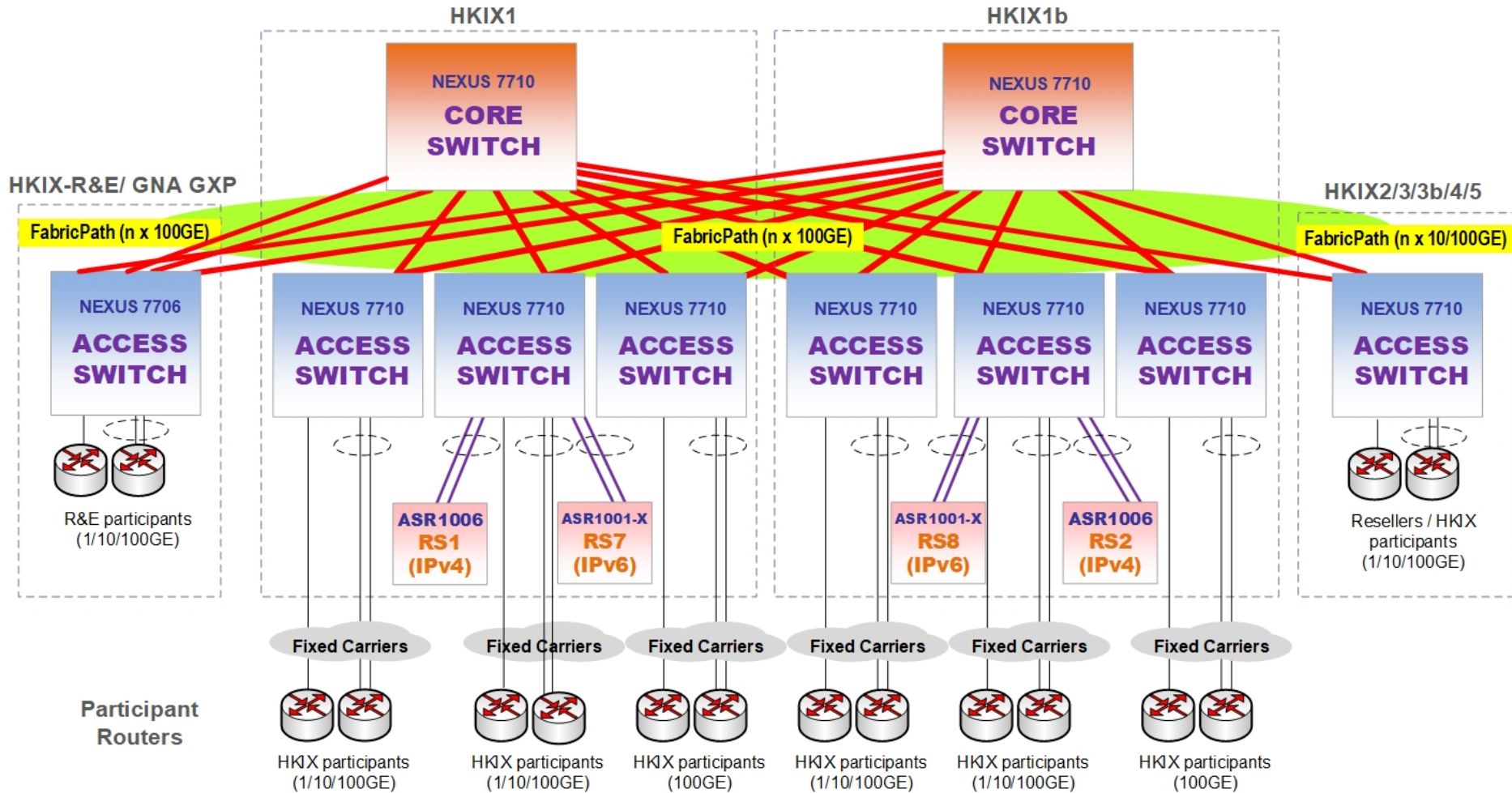
# New HKIX Dual-Core Two-Tier Spine-and-Leaf Architecture For 2014 and Beyond



HKIX1 Core Site @CUHK -----(<2km)----- HKIX1b Core Site @CUHK



# HKIX Network Diagram (Jul 2020)



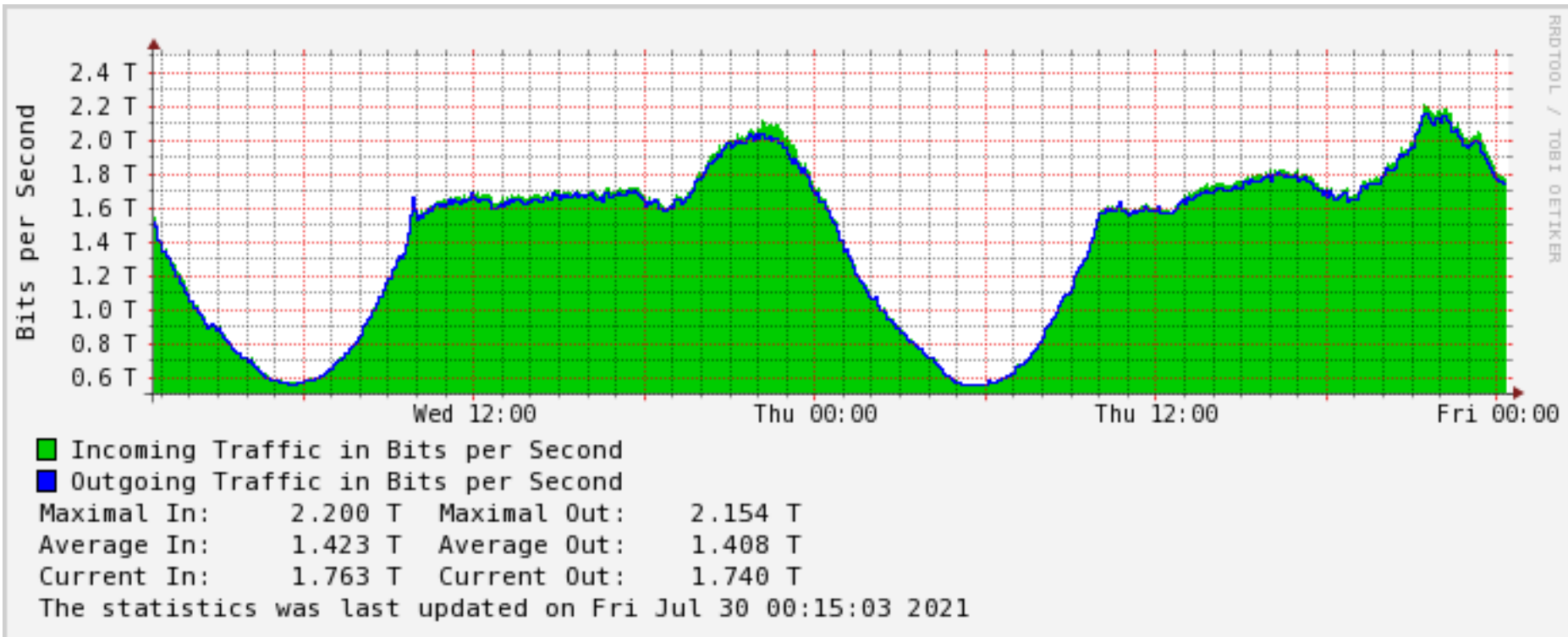
1. **HKIX1** and **HKIX1b** are the two core sites of HKIX at CUHK while **HKIX2/3/3b/4/5** are HKIX satellite sites outside of CUHK.
2. HKIX participants are encouraged to connect to multiple sites for site resilience.

# HKIX Today

- Supports both MLPA (Multilateral Peering) and BLPA (Bilateral Peering) over layer 2
- Supports IPv4/IPv6 dual-stack
- More and more non-HK participants
- 330+ different networks (autonomous systems) connected
- 560+ physical connections in total
  - 96 **100GE**, 340+ **10GE** & 130+ **GE**
- 2.26+Tbps (5-min) total traffic at peak
- Annual Traffic Growth **~30%**

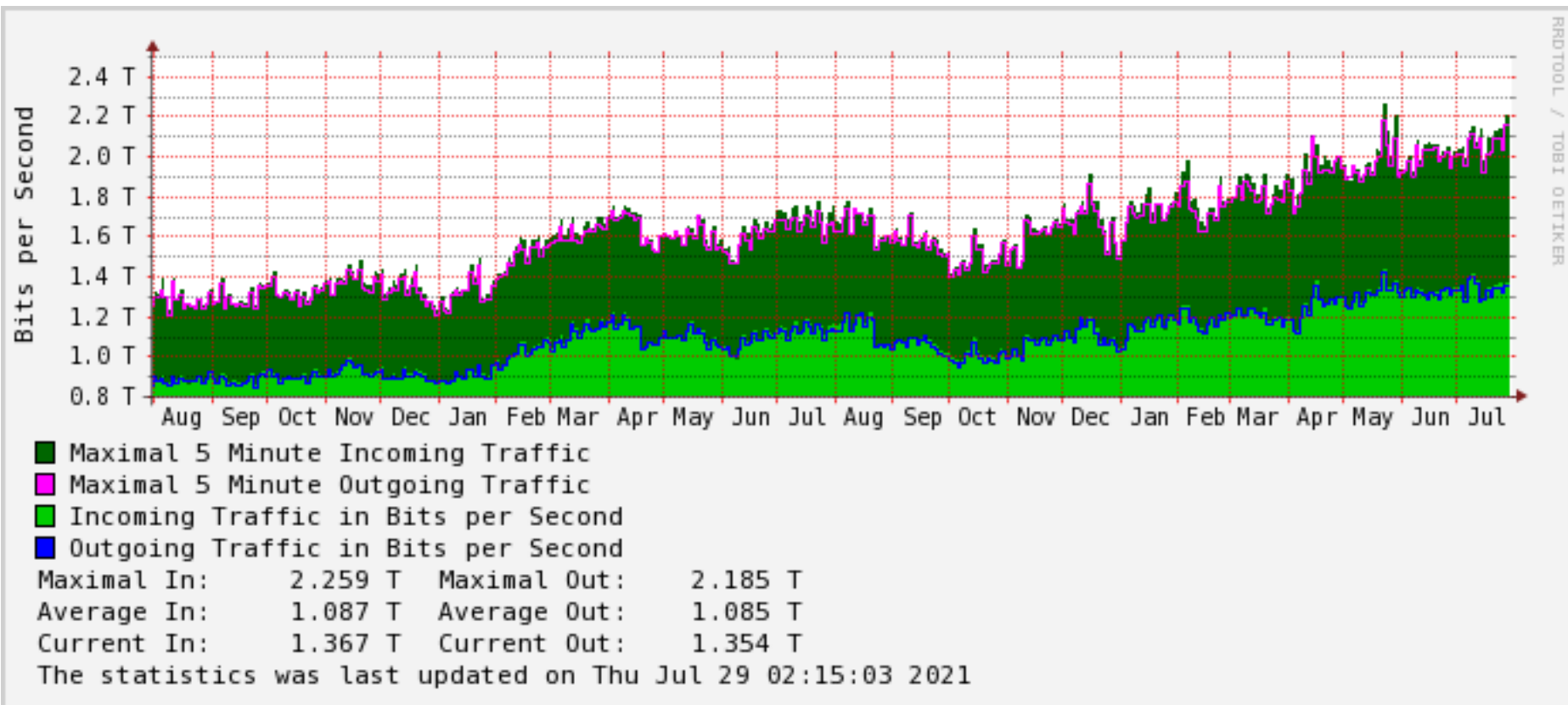
# Current HKIX Traffic

## Daily Graph (5-min average)



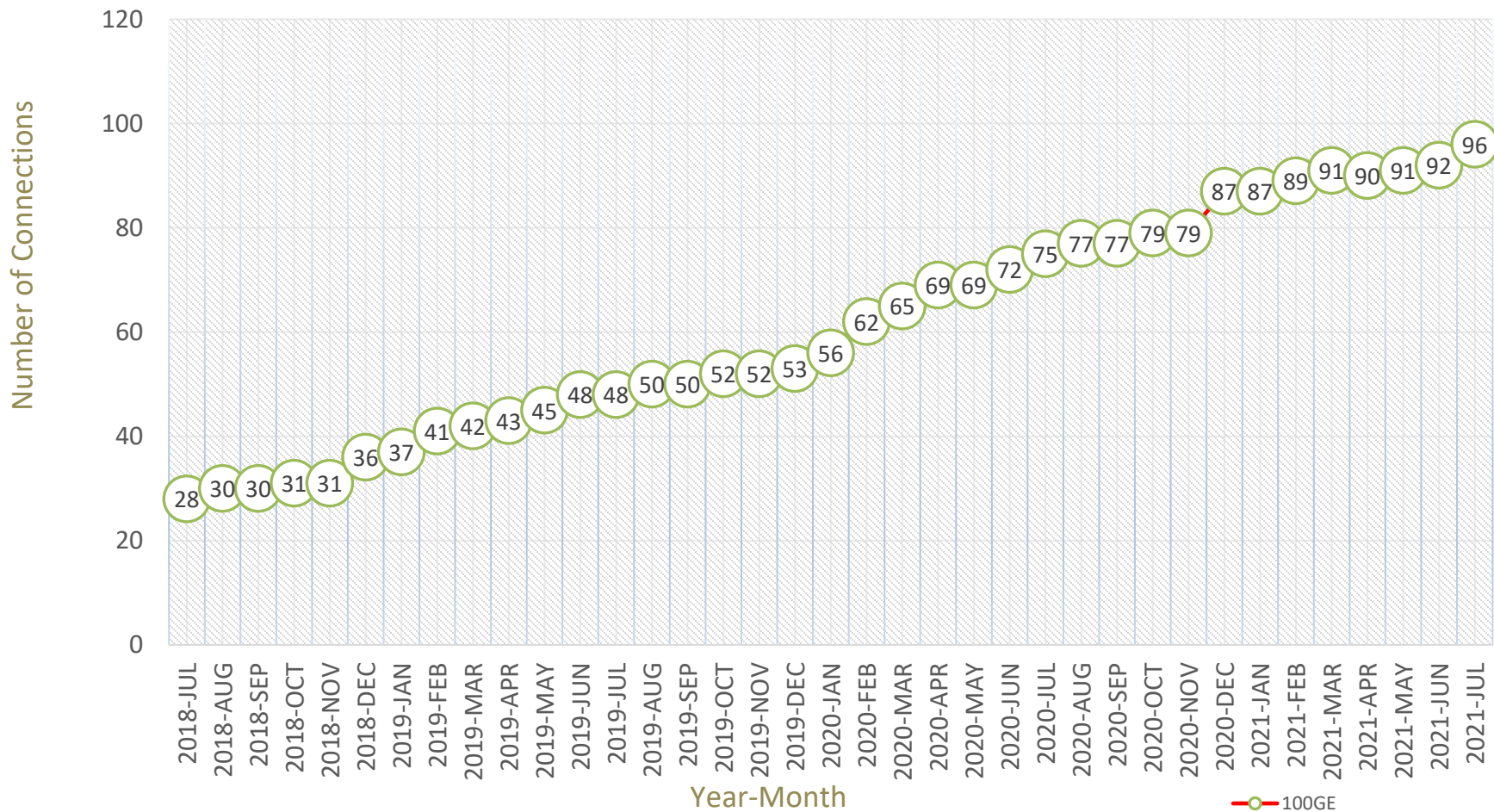
# Current HKIX Traffic

## Yearly Graph (1-day average)



# 100GE Connections at HKIX

Total HKIX 100G Ports Connected (2018 JUL - 2021 JUL)





# HKIX 100GE Participants (1/2)

- Akamai
- Alpha Network
- Amazon
- BGP Consultancy
- BIGO
- China Mobile HK
- China Mobile International
- CloudFlare
- Continent
- Converge ICT Solution
- Dataweb Global Group
- DDoS-Guard
- DITO Telecommunity
- Facebook
- FPT Telecom
- G-Core Labs
- Google
- HGC
- HKBN
- HKT
- Huawei International
- Hurricane Electric
- Hutchison Telephone

# HKIX 100GE Participants (2/2)

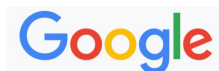
- Limelight
- Microsoft
- Mytek
- Netflix
- Netvigator
- NexusGuard
- PCCW Global
- RETN
- SK Broadband
- Sky Cable
- Taobao
- Telin
- Telekom Malaysia HK
- Telstra
- Tencent
- TVB
- Udomain
- Unicom
- Value
- XLC Global
- Yahoo
- Zscaler

# HKIX's 100GE participants at a glance -1

## Content Provider

















## ISP Regional














## ISP Local








# HKIX's 100GE participants at a glance -2

<u>Retail &amp; Gaming</u>	<u>Anti-DDoS Provider</u>	<u>Data Centre</u>	<u>Others</u>
 淘宝网 Taobao.com	 CLOUDFLARE	 UDomain	 HUAWEI
 VALVE	 NEXUSGUARD	 ALPHANETWORKS Solution Pte Ltd	 XLC GLOBAL
	 DDOS-GUARD		 CONTINENT8 technologies
			 DGG Dataweb Global Group
			MYTEK Trading

# Multiple HKIX Satellite Sites

- Allow participants to **connect to HKIX more easily at lower cost** with cross connect from those satellite sites in Hong Kong
- Collaborate with multiple data centres in HK which fulfilled our requirements so as to maintain neutrality which is the key success factor of HKIX
- Create a win-win situation with satellite site collaborators
- Named HKIX2/3/4/5/6/etc

## Latest updates:

- HKIX2 has been migrated from old model to HKIX Satellite Site
- HKIX3/4/5 are new satellite sites and they are **Ready for Service** now
- HKIX3b is an extension of HKIX3 for resilience
- ***HKIX1 and HKIX1b are the two HKIX core sites located within CUHK Campus and HKIX1c is the new core site at Cyberport***

# HKIX Reseller Program

- To provide one-stop-shop service by HKIX Resellers
- Non exclusive arrangement / resellers can be IXPs, Data Centres, local and regional ISPs
- Support Shared Port / Dedicated Port mode
- 1<sup>st</sup> batch of resellers is allowed to connect Satellite site only
- Resellers can connect to HKIX core sites now

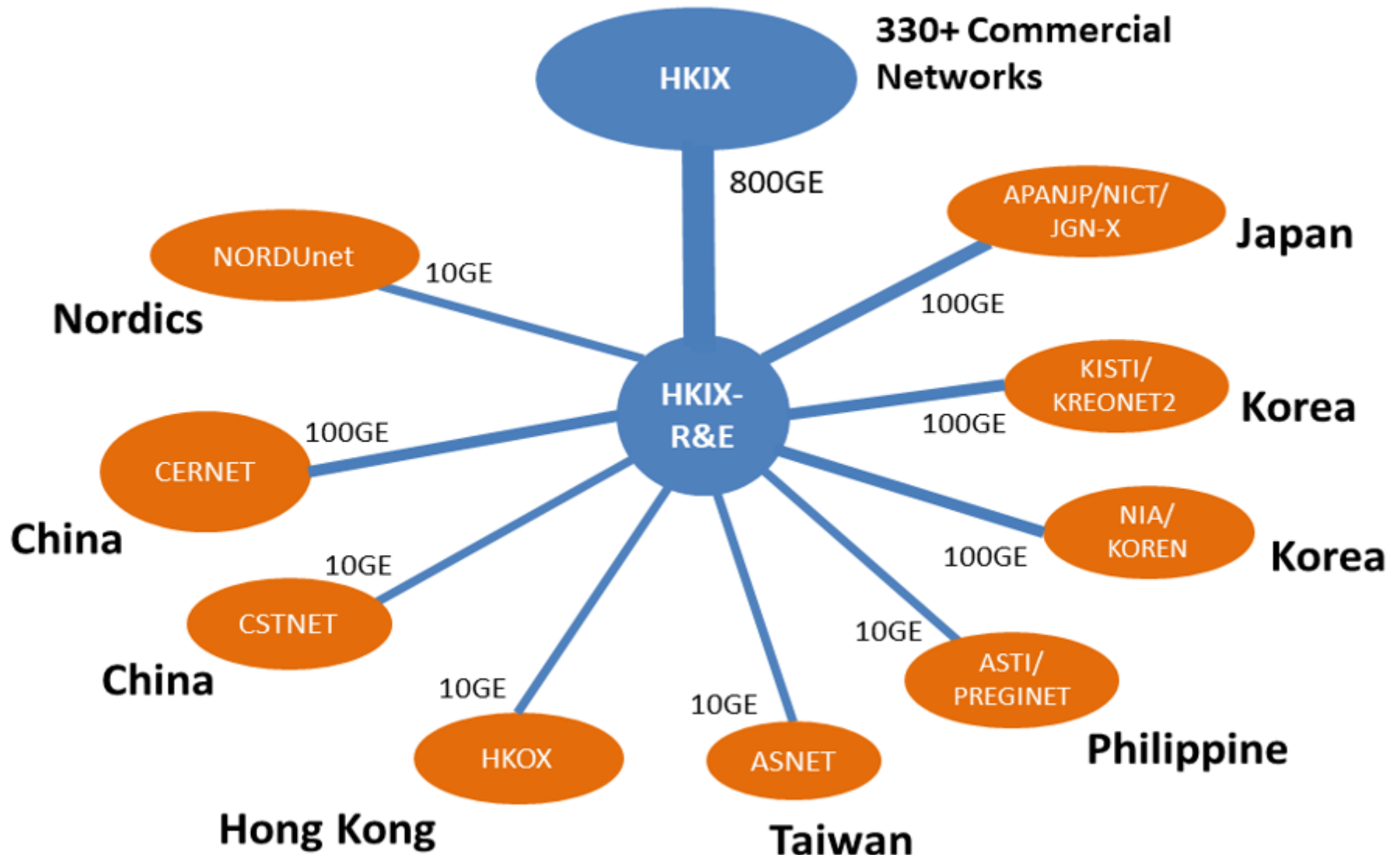
If you are interest be one of our resellers, please contact [info@\[hkix.net\]](mailto:info@[hkix.net]).



# HKIX-R&E – Special Support for R&E Networks Having Presence in HK

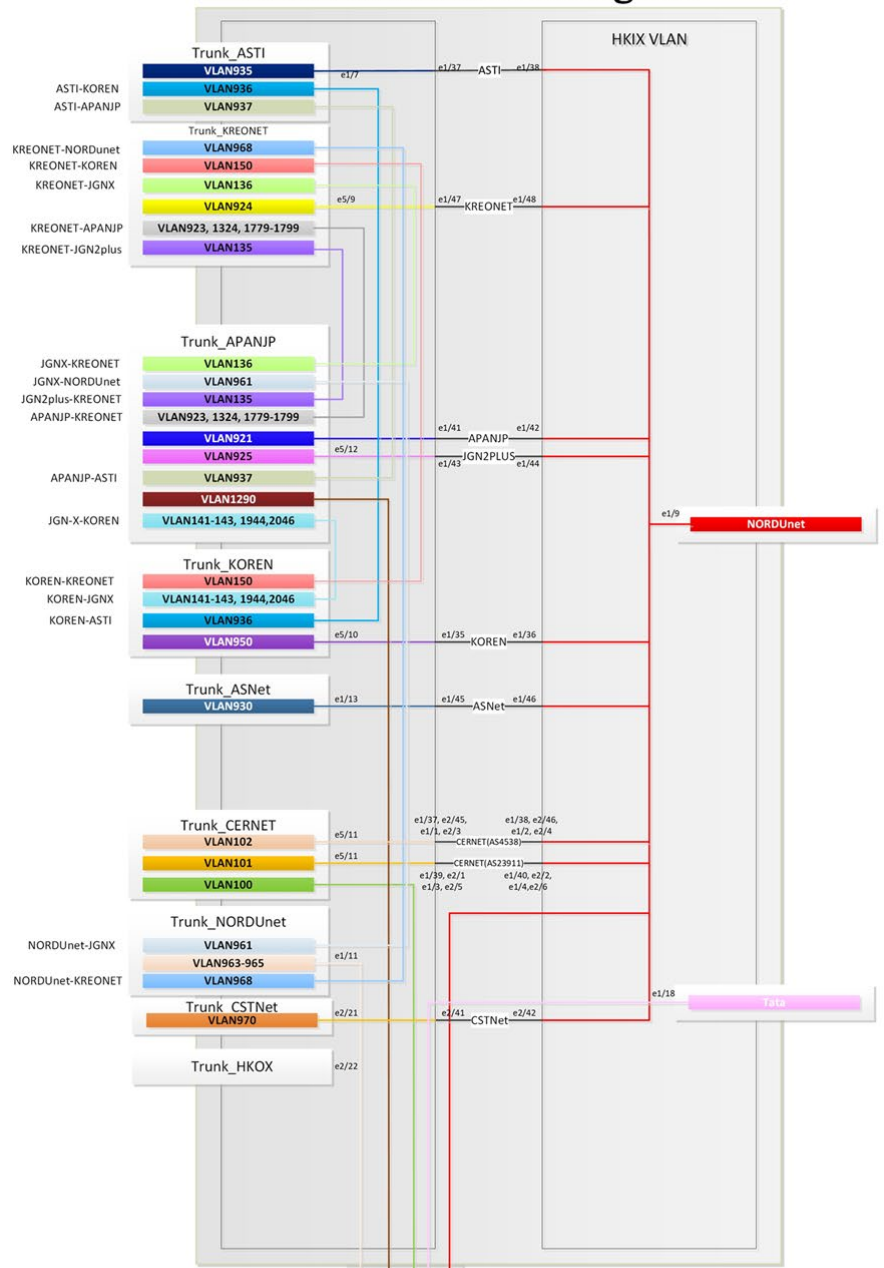
- HKIX helps those R&E Networks interconnect among themselves and with commercial networks without restrictions via HKIX-R&E switch at MEGA-i
- The main purpose is to facilitate those National R&E Networks having presence in Hong Kong to do interconnections among themselves \*and\* do peering with commercial networks at HKIX more easily and at a lower cost.
- Started in 2008
- **Free of charge** (no port charge on HKIX-R&E switch and the connection to HKIX)
- Support GE/10GE/100GE Trunk Ports for R&E networks
- Support Point-to-point VLANs for R&E networks
  - For private interconnections among any 2 R&E networks
  - Jumbo Frame support
- Fiber Cross Connect to be provided by R&E networks
- 7x24 NOC support
- Operate by HKIX with the HKIX-R&E switch at MEGA-i
- Support R&E equipment colocation at HKIX/CUHK

# HKIX-R&E Network Diagram





# HKIX-R&E Network Diagram



FabricPath  
To HKIX1/HKIX1b

Transit VLAN (Not HKIX-R&E related)  
HKIX VLAN

# HKIX-R&E Updates

- Nx100G Connections from MEGA-i to HKIX
  - Upgraded to **800G** (8x100G) in SEP/2020
  - Will be upgraded to **1T** (10x100G) in Q4/2021

# HKIX-R&E Connections at MEGA-i



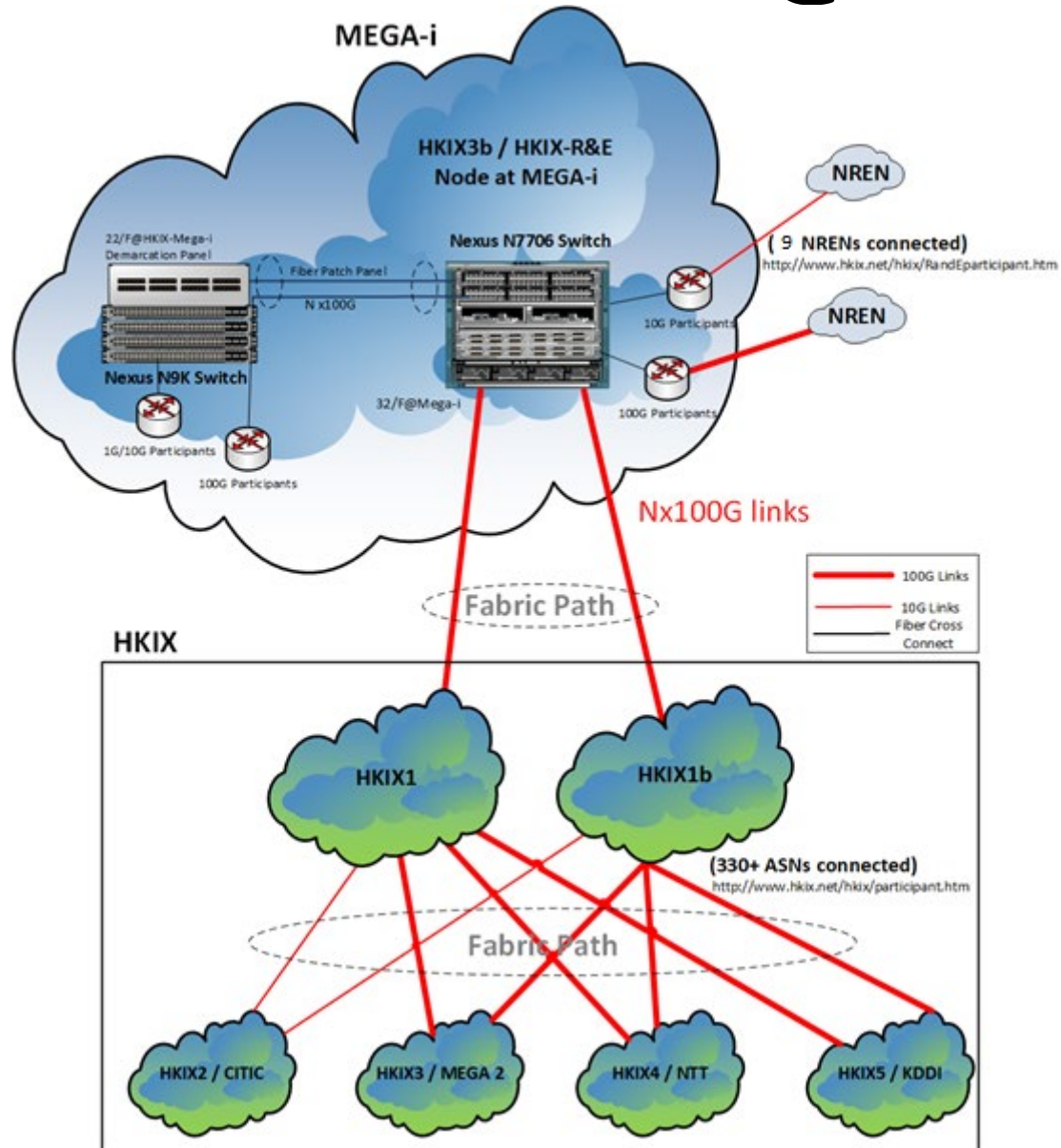
## **100GE :**

- APANJP / NICT / JGN-X
- CERNET
- NIA / KOREN
- KISTI / KREONET2

## **10GE :**

- ASNET
- ASTI / PREGINET
- CSTNET
- HKOX
- NORDUnet

# HKIX Infrastructure @MEGA-i



# HKIX Planned Works for 2021

- **Improved Stability**
  - Better Control of Proxy ARP
- **Improved Services**
  - Rollout portal for HKIX participants / R&E participants
  - True 24x7 NOC (both email & hotline support)
  - Improve after-hour support
  - Introduce advanced Route Server functions
  - perfSONAR server
  - Automatic network filter update (support updates from IRR)
  - **New HKIX Route Servers**
  - **NTP server for HKIX participants**
  - **HKIX New Core Site**
  - **DWDM Setup Between HKIX Core Sites**
  - **Network Operations & Command Center (NOCC) Setup in Cyberport**
  - **HKIX CRM Upgrade**
  - **VM Infrastructure Enhancement and Expansion**

\* Working In Progress

# HKIX Planned Works for 2021



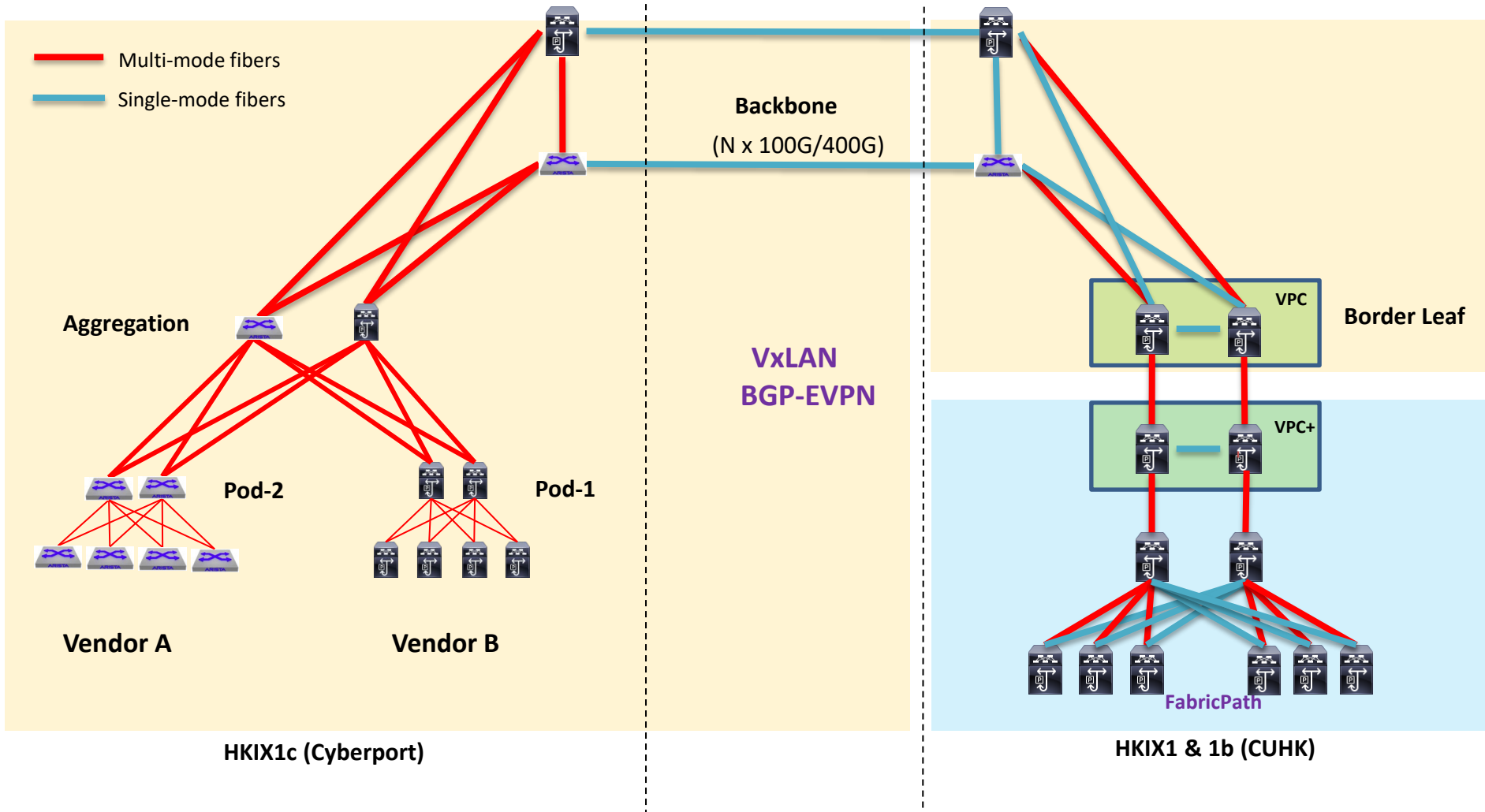
- **Improved Security**
  - ISO27001
  - Better support for DDoS mitigation
  - Implement RPKI on HKIX Route Servers to enhance routing security
  - Implement MANRS IXP Programme for routing security
  - **Implement security operations center (SOC)**
  - **Create AS-SET of HKIX**

\* Working In Progress

# HKIX Future Upgrade Plan

- HKIX-R&E switch upgrade to support of 400G connections
- Network traffic visibility
- Network automation with multiple vendors support

# HKIX VXLAN EVPN deployment





# HKIX VXLAN EVPN deployment

- Underlay routing protocol:
  - BGP vs IGP (OSPF/ISIS)
- Link/Loopback/Management IP assignment
- Interoperability between vendors

IX name	Hong Kong Internet eXchange (HKIX)
City, Country	Hong Kong
Point of Presence	<p><b>Core Sites:</b>  <b>HKIX1</b> &amp; <b>HKIX1b</b> @CUHK / <b>HKIX1c</b> @Cyberport</p> <p><b>HKIX-R&amp;E:</b>  HKIX-R&amp;E@MEGA-i</p> <p><b>Satellite Sites:</b>  <b>HKIX2</b>@CITIC, <b>HKIX3/HKIX3b</b>@iAdvantage, <b>HKIX4</b>@NTT,  <b>HKIX5</b>@KDDI</p>
# of connected ASN	335
Peak traffic	2.26Tbps
Route Servers	Yes (Cisco ASR1002-HX) for IPv4 and IPv6
RPKI / MANRS	Yes (both)
Remarks	<p>Website: <a href="https://www.hkix.net">https://www.hkix.net</a></p> <p>PeeringDB: <a href="https://www.peeringdb.com/ix/42">https://www.peeringdb.com/ix/42</a></p> <p>Resellers: <a href="https://www.hkix.net/hkix/Resellers.htm">https://www.hkix.net/hkix/Resellers.htm</a></p>

# Thank You!

For enquiries, please contact us at  
info [at] hkix.net