

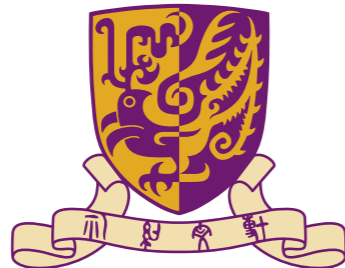
CENG 4480

Lecture 10: Clock

Bei Yu

Reference:

- Chapter 11 Clock Distribution
- High speed digital design
- by Johnson and Graham



香港中文大學

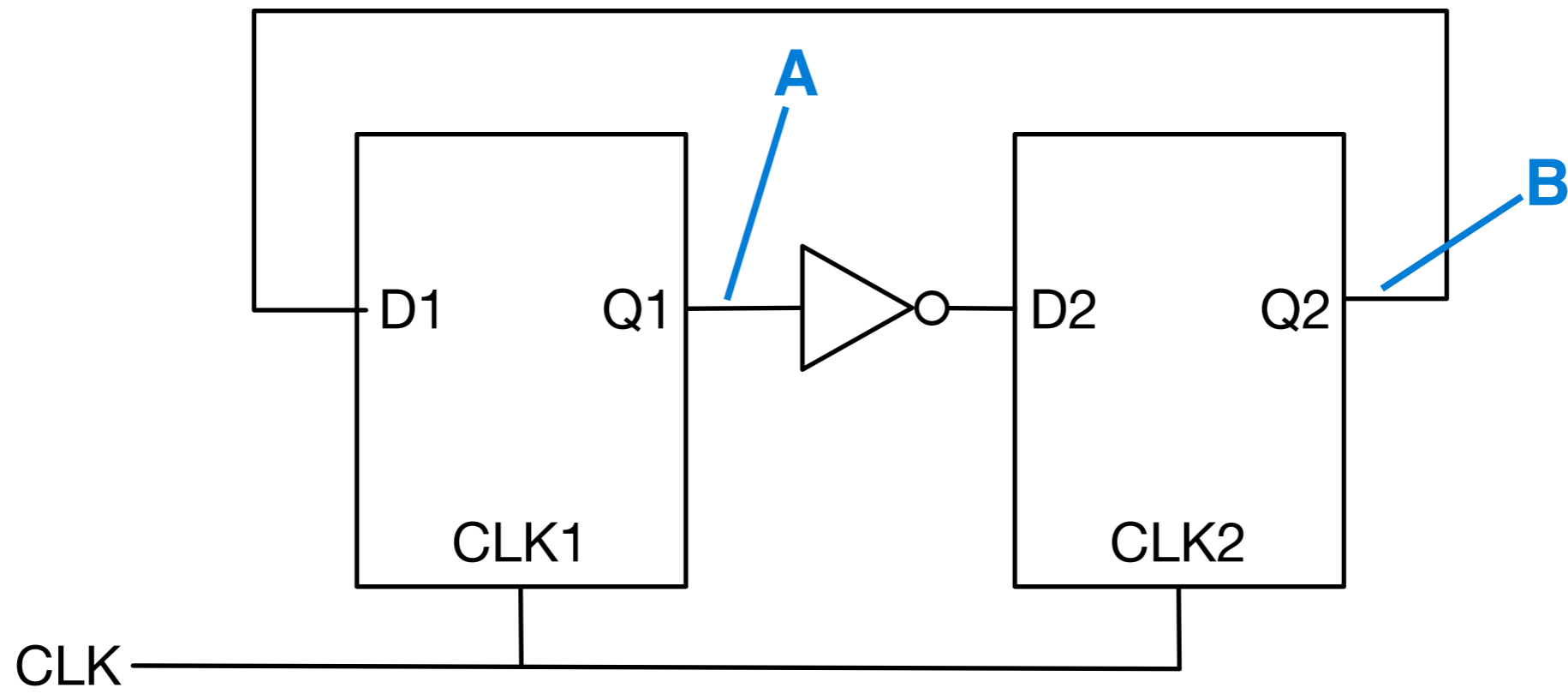
The Chinese University of Hong Kong

Setup Time and Time Margin

- **Setup Time**: The time that the input data must be stable before the clock transition of the system occurs
- **Time Margin**: measures the **slack**, or excess time, remaining in each clock cycle
 - ◆ Protects your circuit against signal cross-talk, miscalculation of logic delays, and later minor changes in the layout
 - ◆ Depends on both time delay of logic paths and clock interval

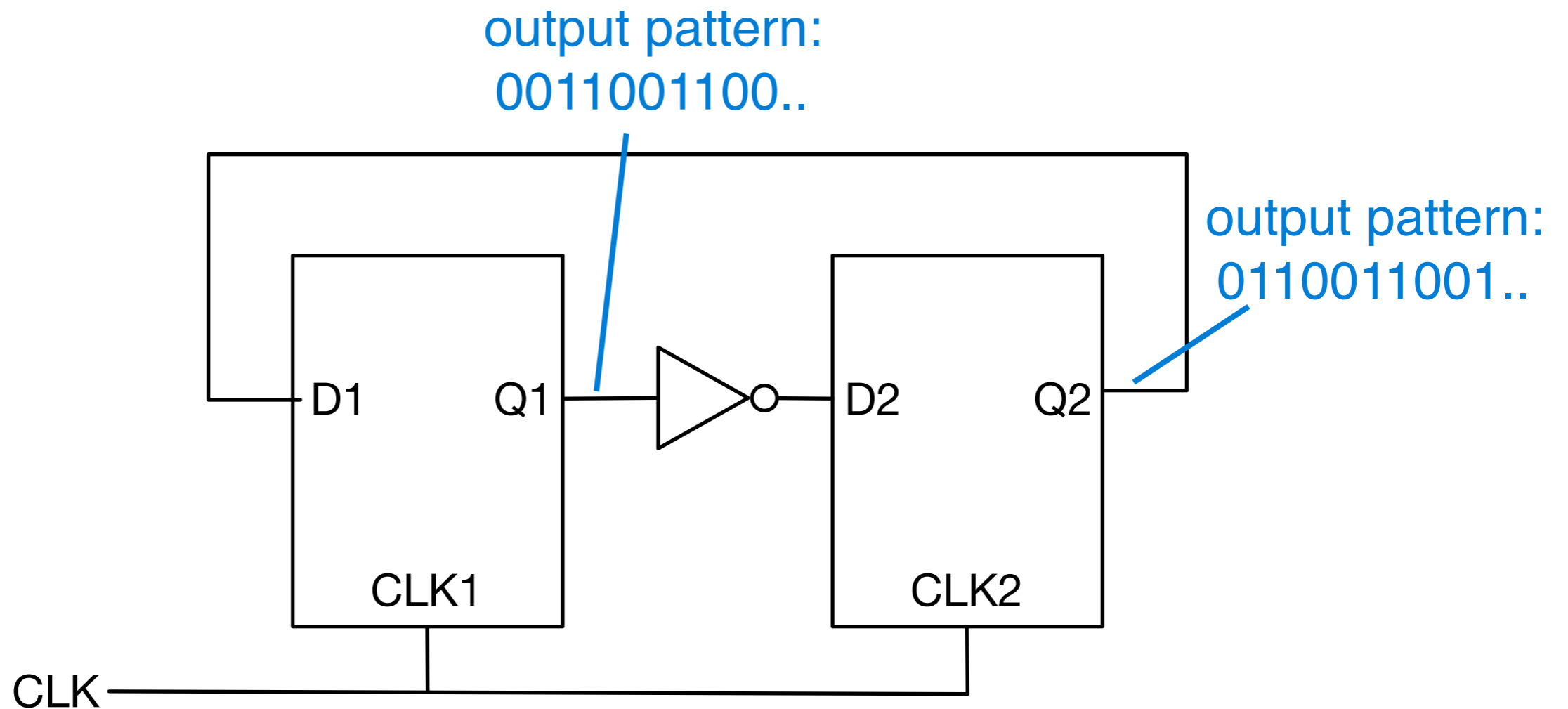
A 2-bit ring counter example

- 2-bit ring counter
- Initially $A = B = 0$; $A = 0011001100$
- What is B ?



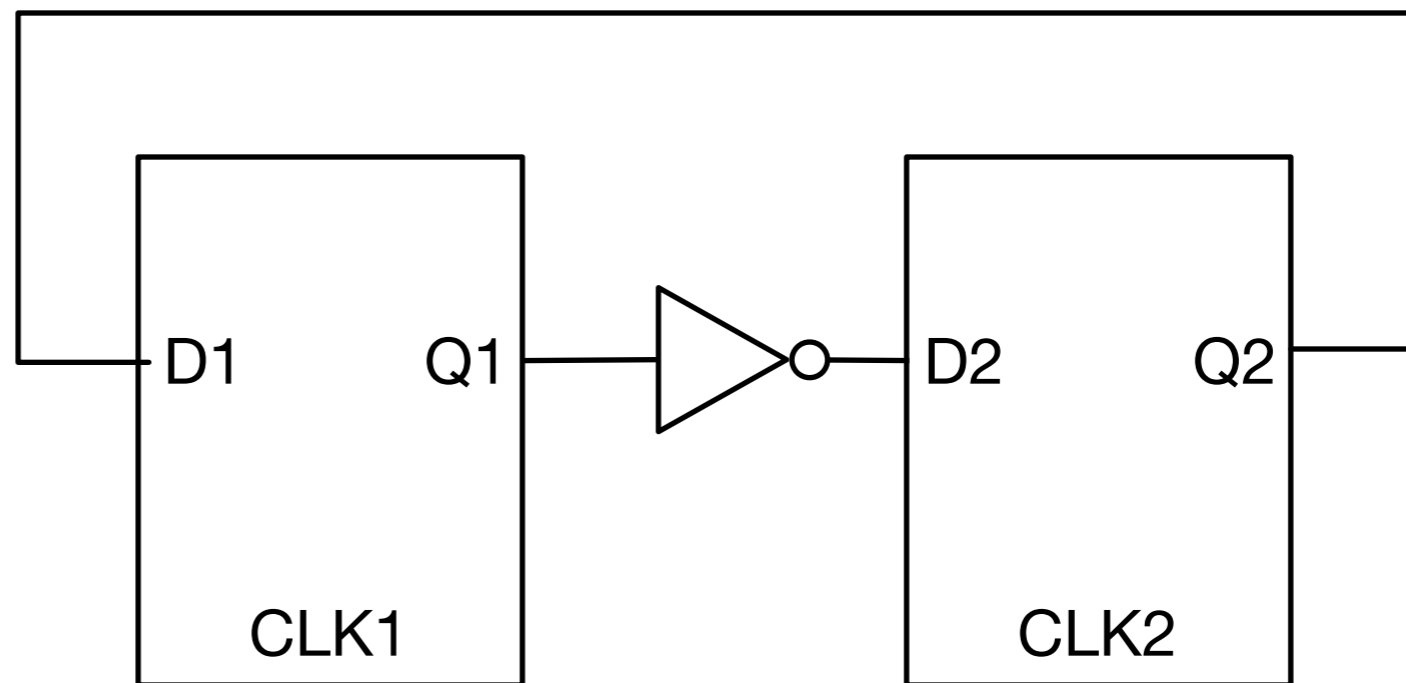
A 2-bit ring counter example

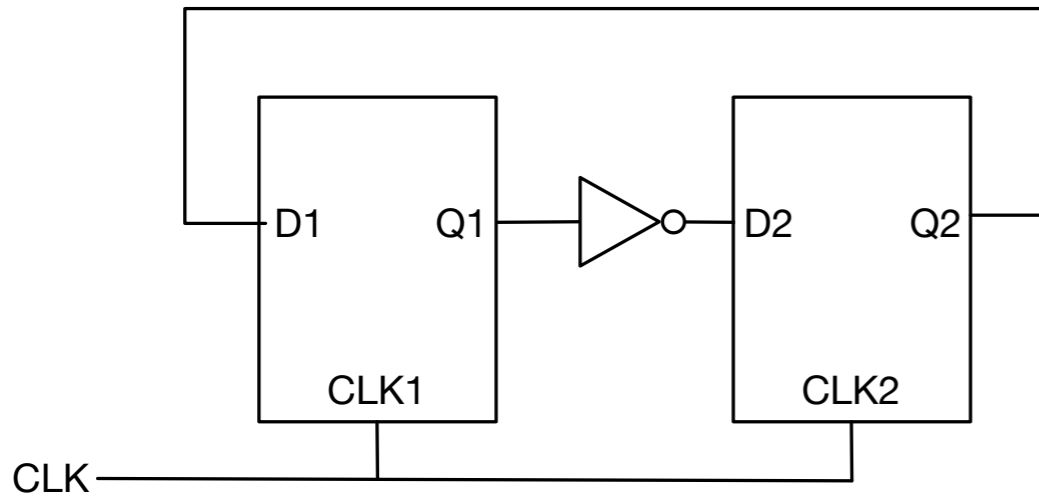
- The result is Okay when clock is **slow**
- But, when clock is **TOO fast**, get some **problem**



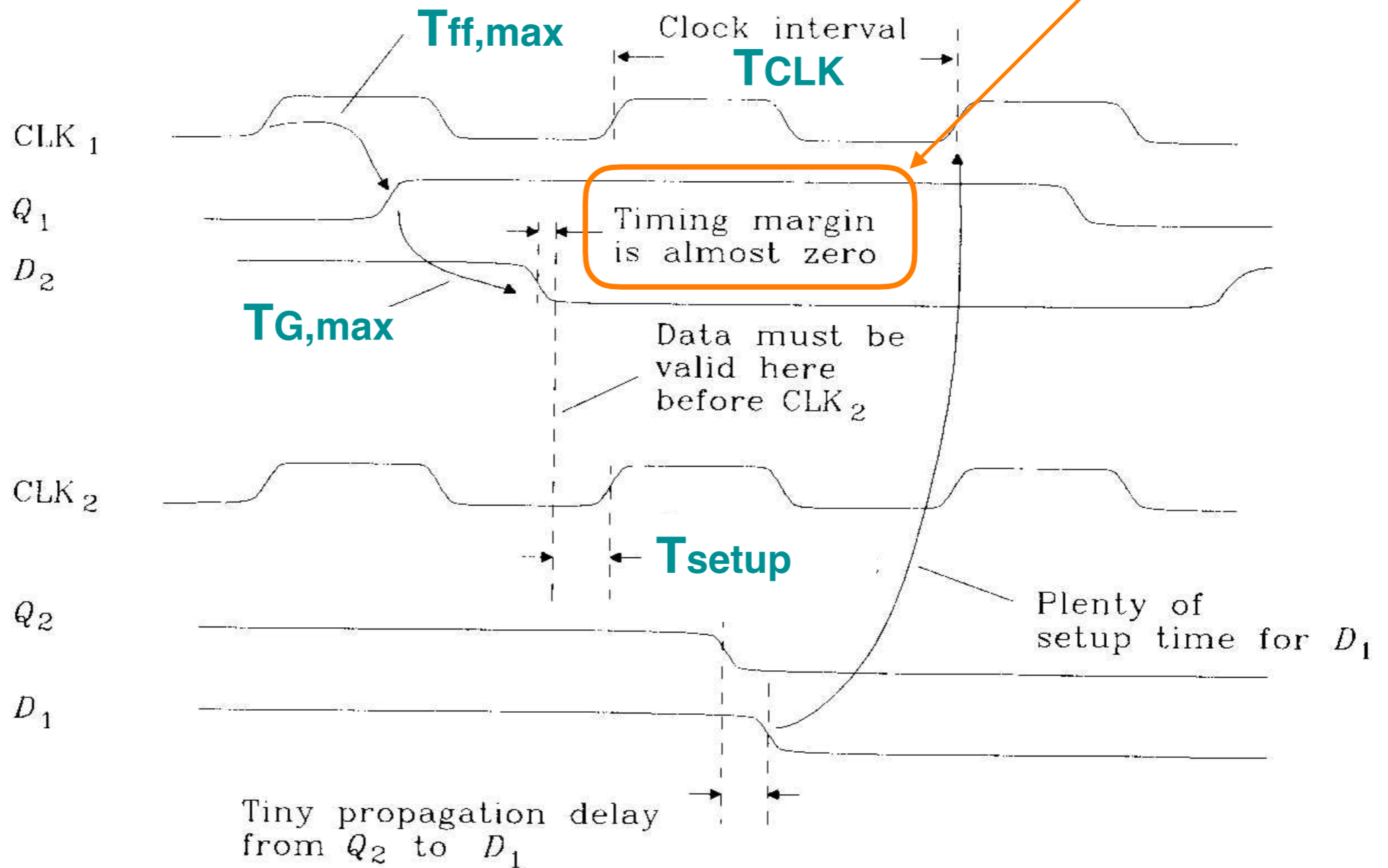
Notations in Clock Skew Calculation

- **$T_{ff,max}$** : max delay of flip-flop (FF)
- **$T_{G,max}$** : max delay of gate G, including track delay
- **T_{setup}** : worst-case setup time required by FF2, data at D2 must arrive at least T_{setup} before CLK_2
- **T_{CLK}** : clock period; interval between clocks



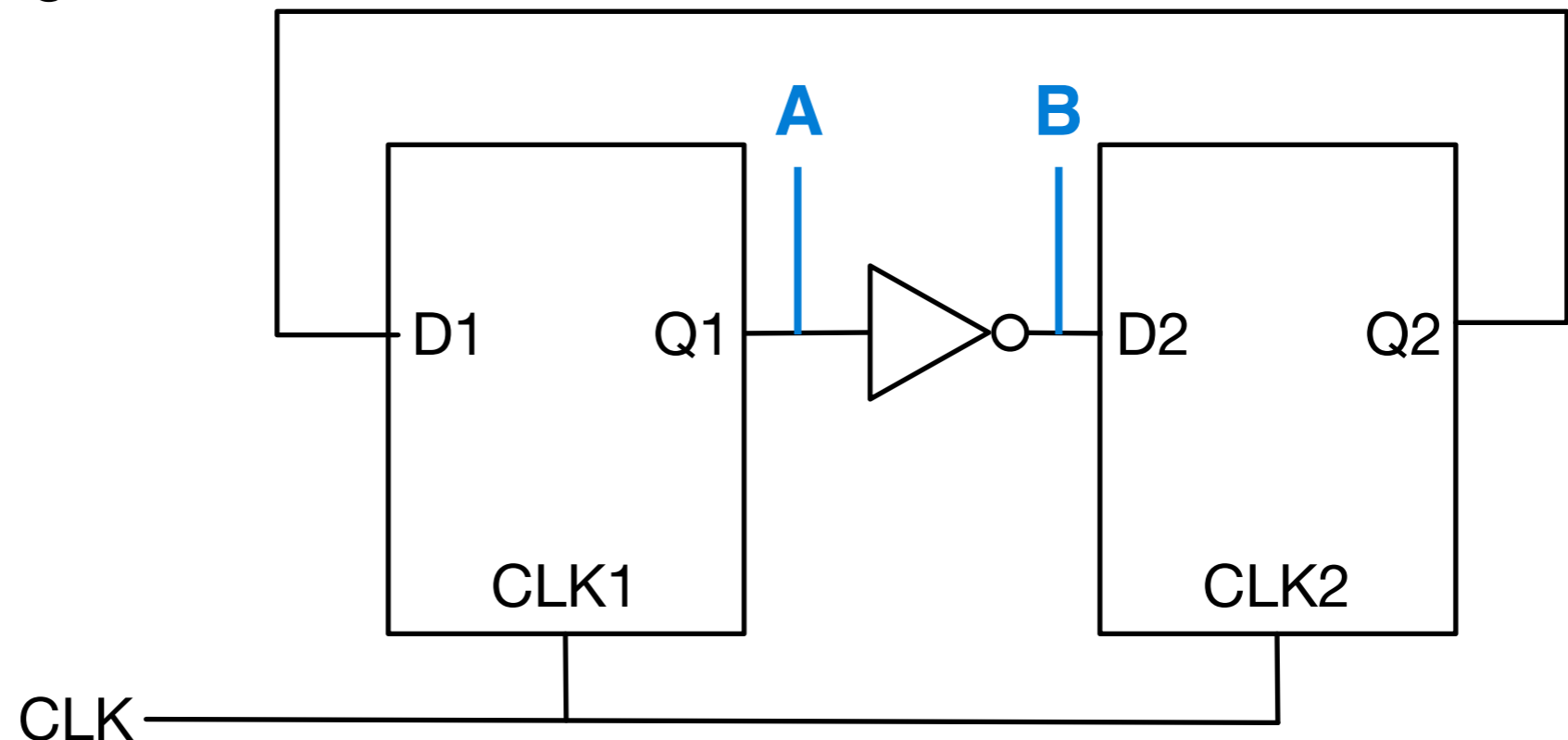


May cause problem if T_{CLK} is too small



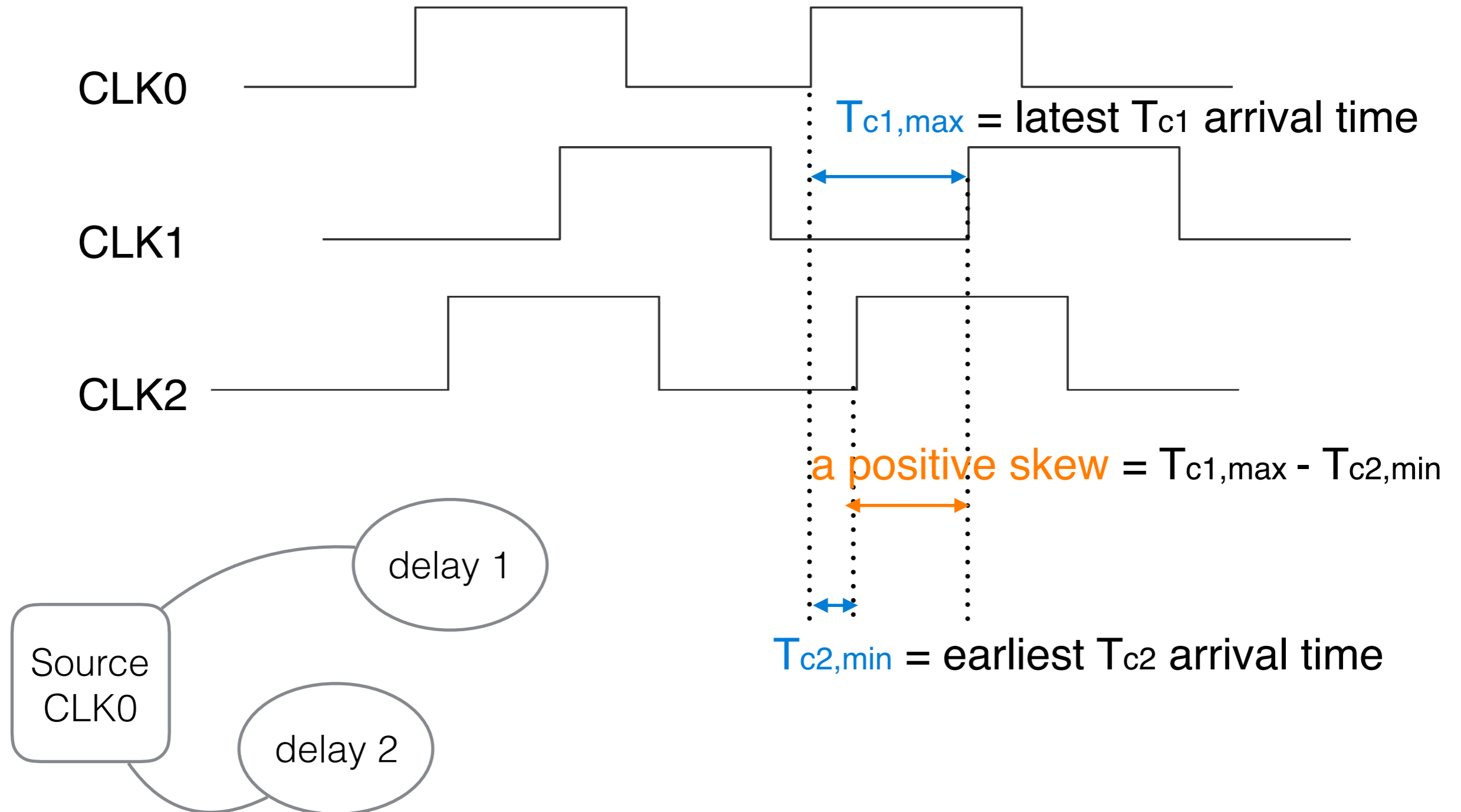
EX. B2-1

- $CLK1 = CLK2 = 20MHz$; $T_{ff,max} = 8ns$; $T_{setup} = 5ns$; $T_{G,max} = 10ns$.
- **Questions:**
 - ♦ Find time margin
 - ♦ How many delay G gates can you insert between A and B without creating error?



Clock Skew

- The clock does NOT reach FF1, FF2 at the same time



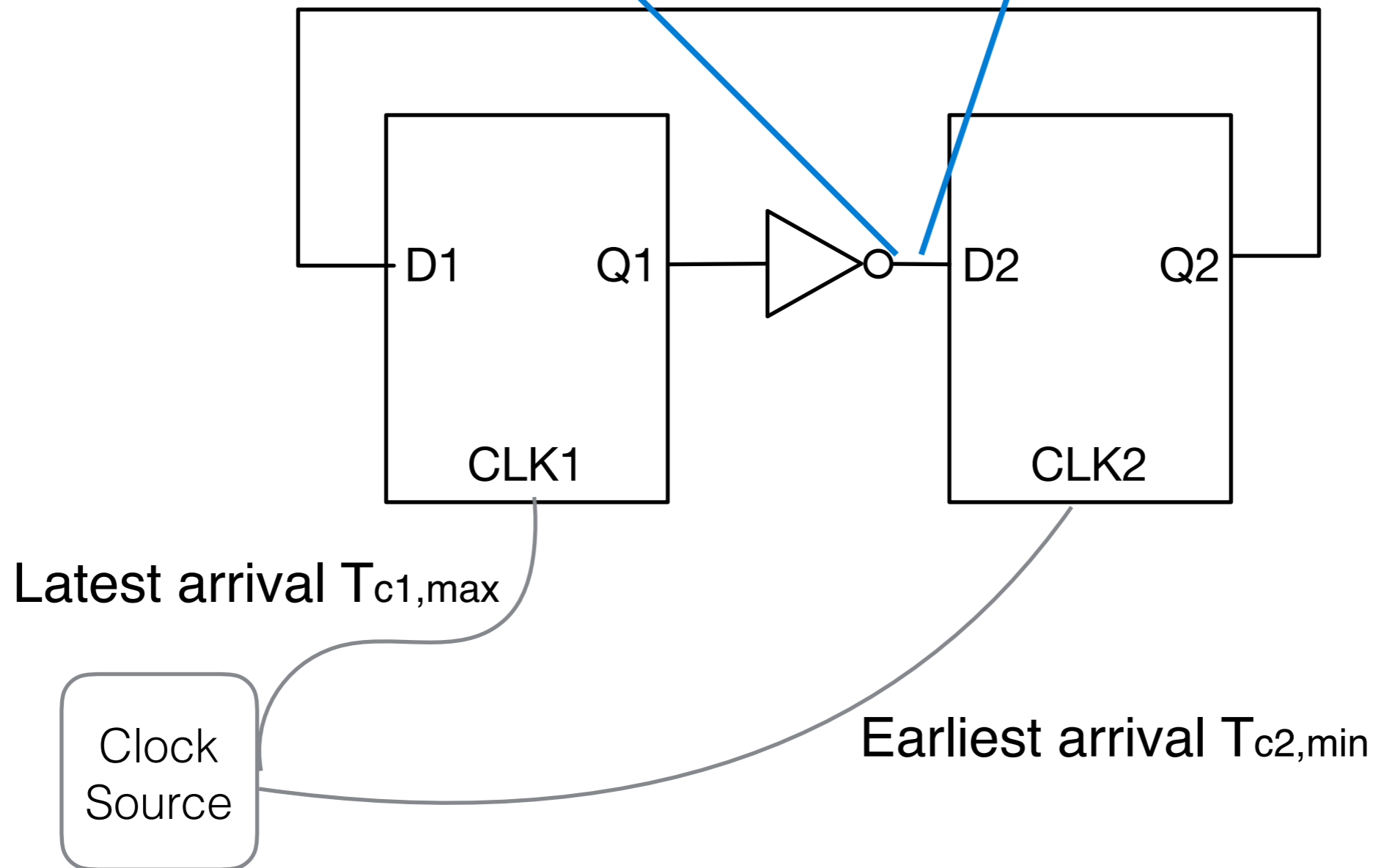
Why Care Clock Skew?

Signal arrives here no later than

$$T_{c1,max} + T_{ff,max} + T_{G,max}$$

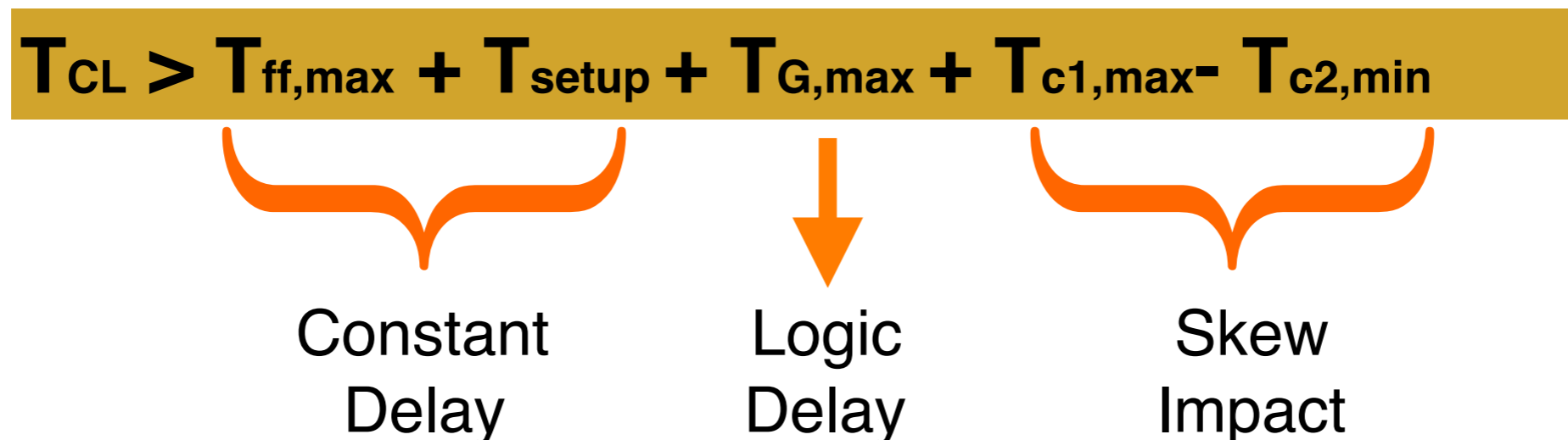
Signal arrives must be valid before next clock

$$T_{CLK} + T_{c2,min} - T_{setup}$$



Why Care Clock Skew?

- $T_{\text{slow}} = T_{c1,\text{max}} + T_{\text{ff,max}} + T_{G,\text{max}}$
- $T_{\text{required}} = T_{\text{CLK}} + T_{c2,\text{min}} - T_{\text{setup}}$
- Since $T_{\text{slow}} < T_{\text{required}} \Rightarrow$



EX. B2-2

Question: Given

- $T_{ff,max} = 7ns;$
- $T_{G,max} = 5ns;$
- $T_{setup} = 4ns;$
- $T_{CL} = 40MHZ;$

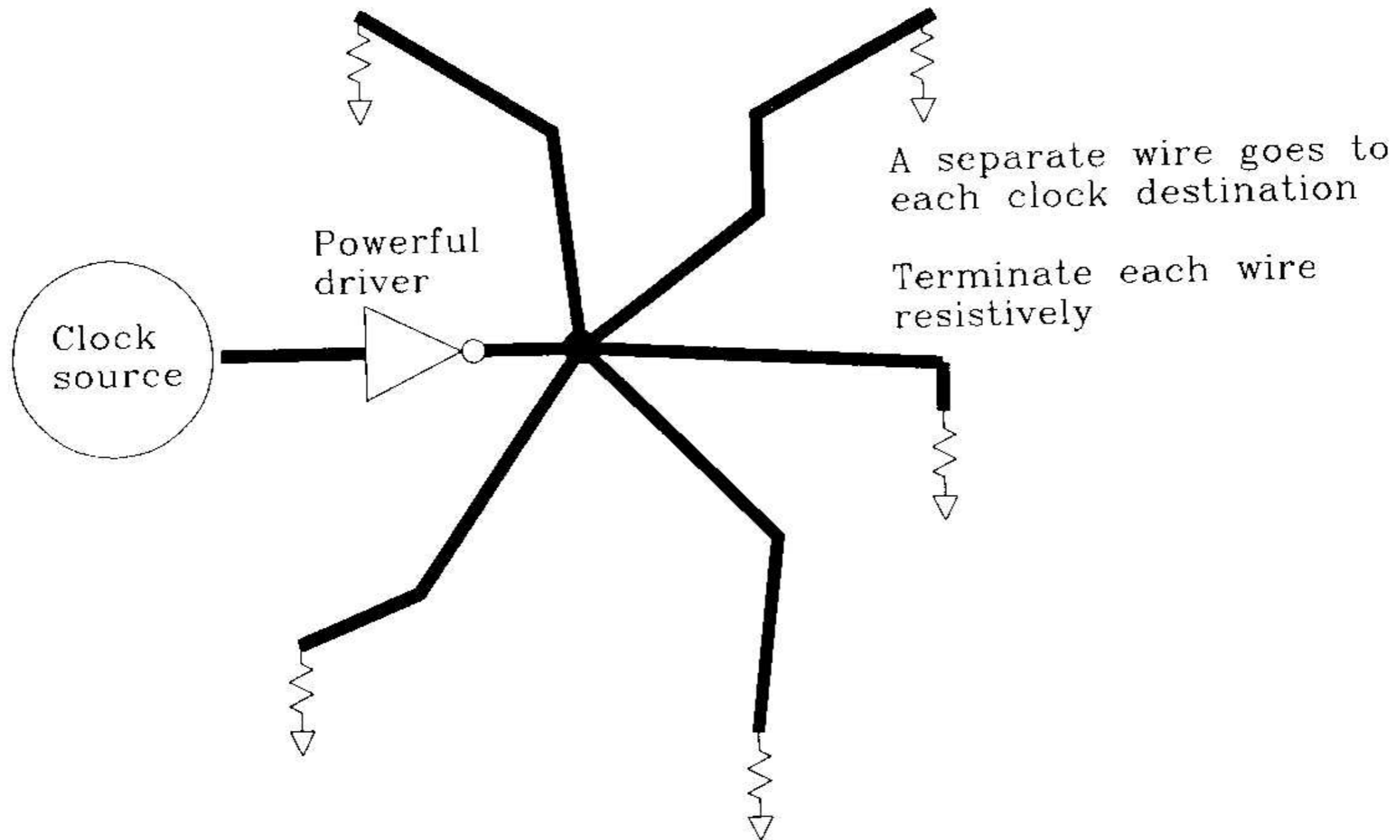
What's the biggest time skew allowed?

Answer:

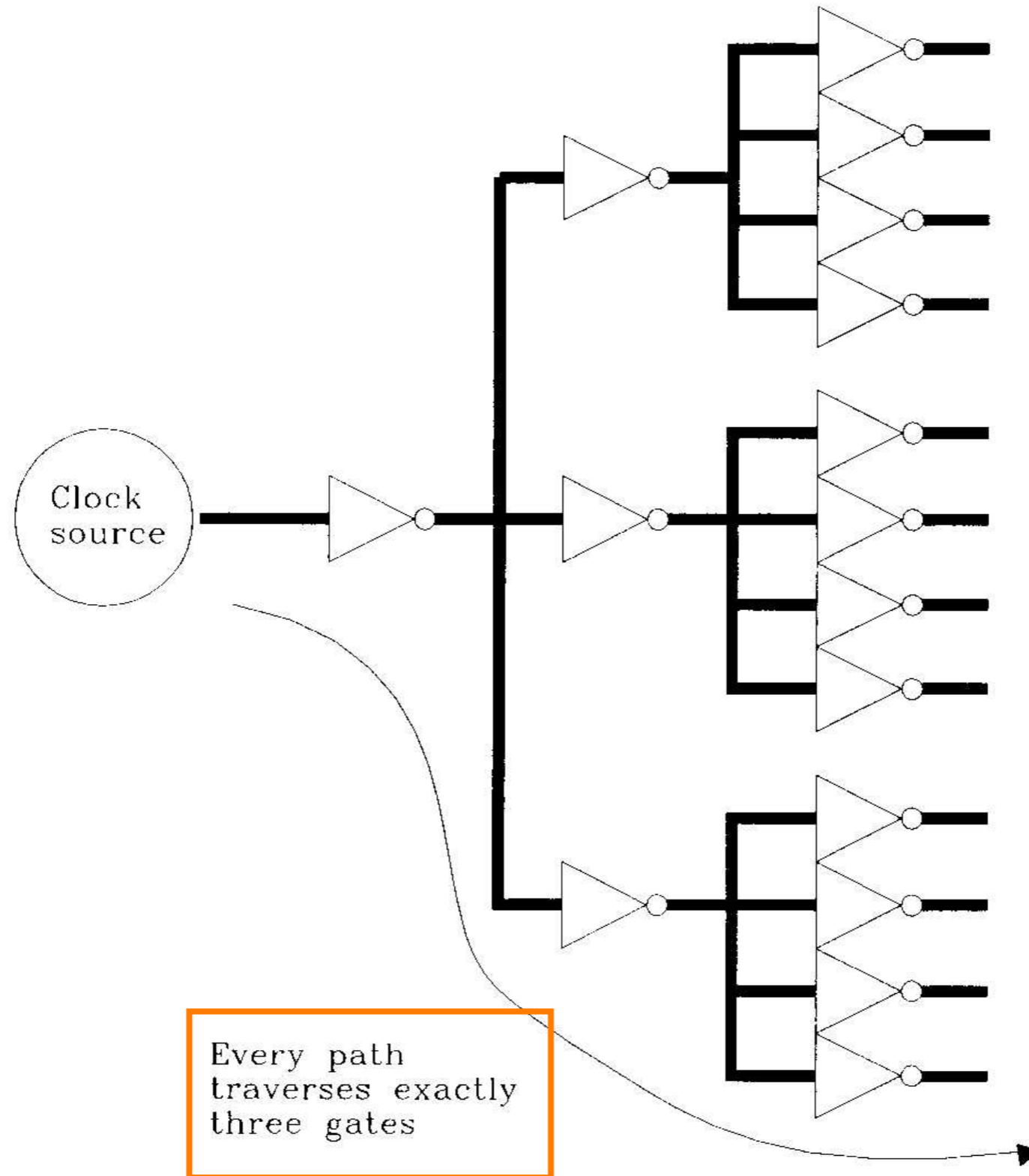
Strategies to reduce clock skew

- Drive them from the **same** source & balance the delays
- **Style 1**: Spider-leg distribution network
 - ♦ use a power driver to drive N outputs.
 - ♦ Use load (R) termination to reduce reflection if the traces are long (distributed circuit). Total load = R/N .
 - ♦ Two or more driver outputs in parallel may be needed.
- **Style 2**: Clock distribution tree

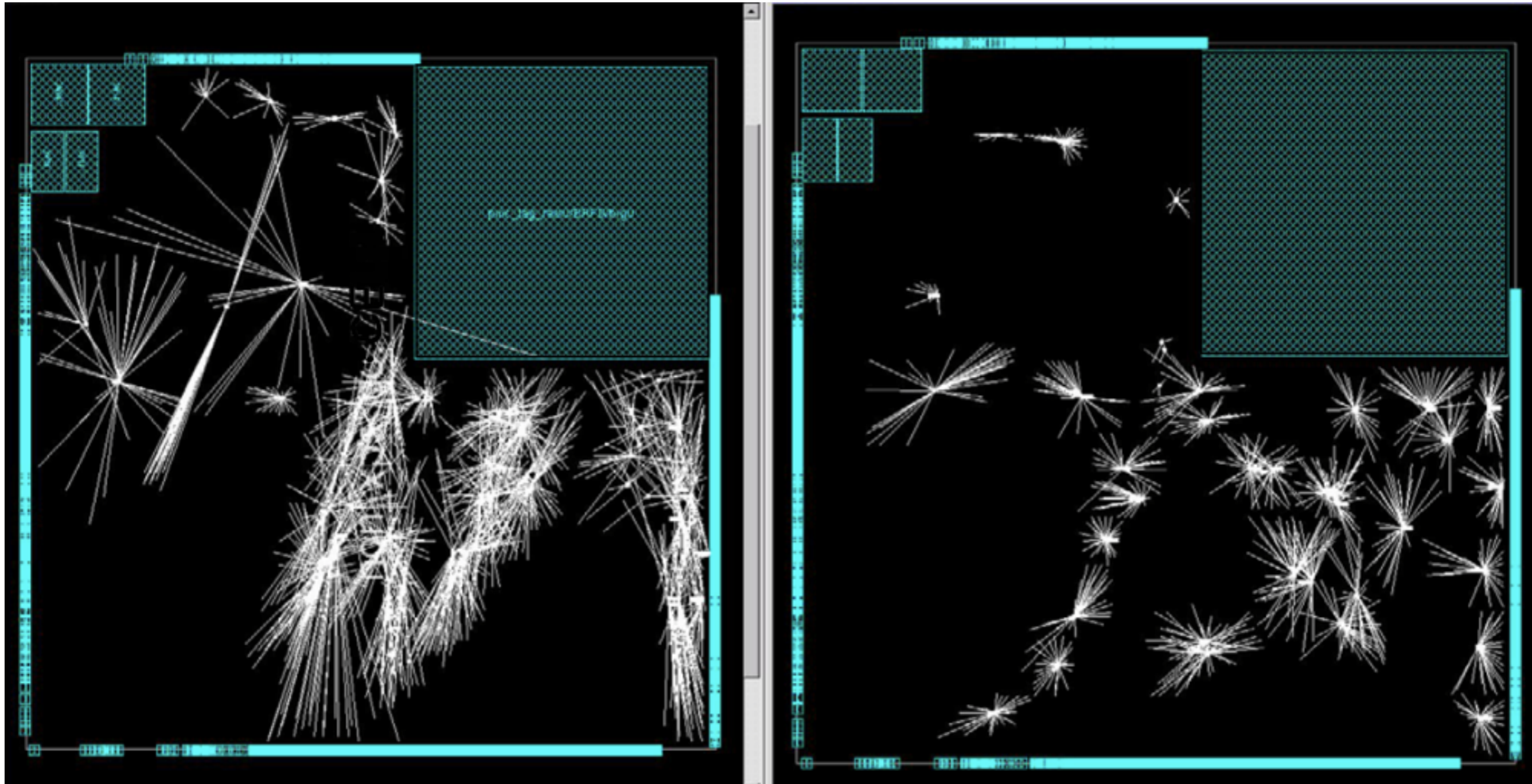
Style 1: Spider-leg Clock



Style 2: Clock Tree

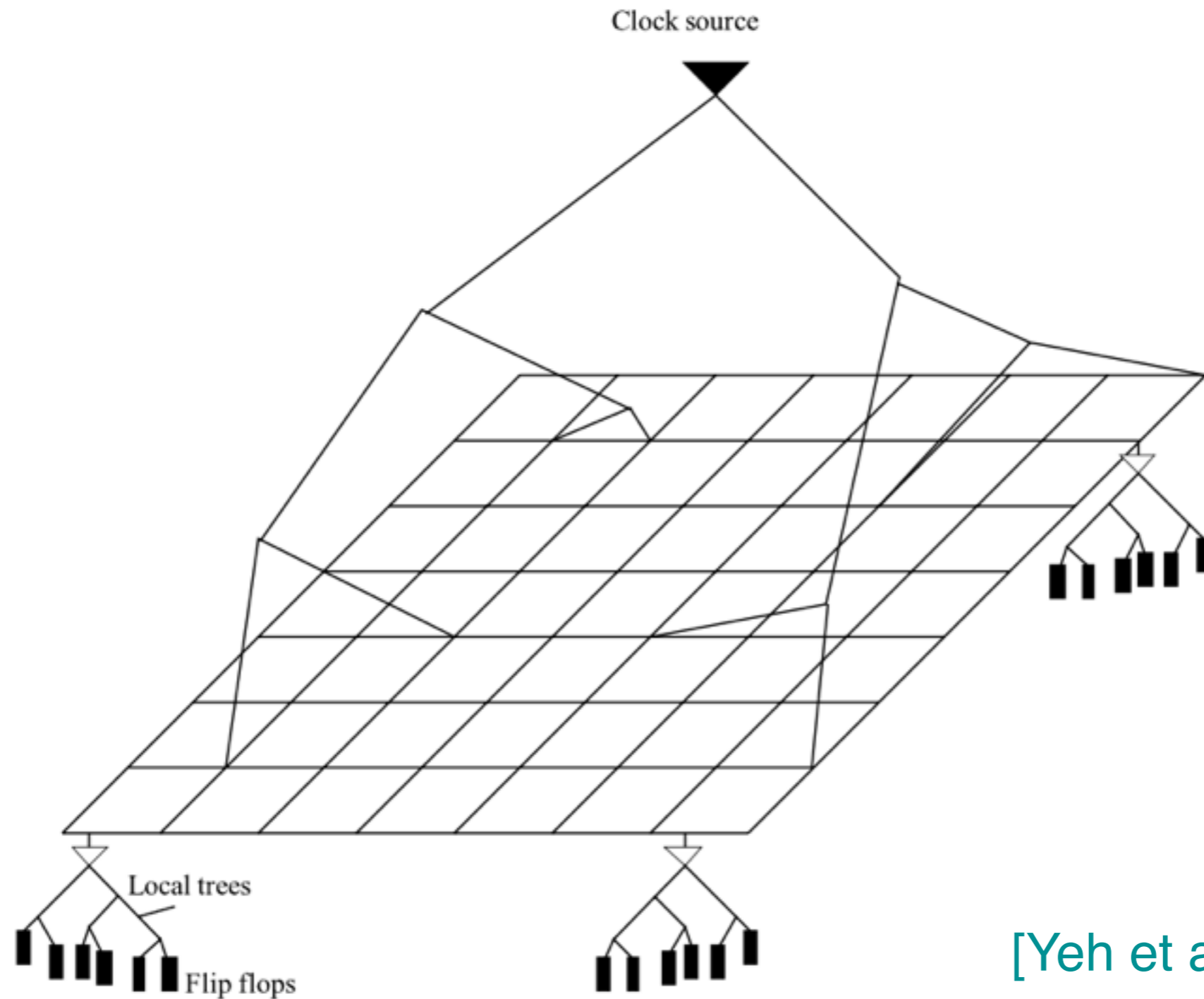


Modern Clock Design — 1



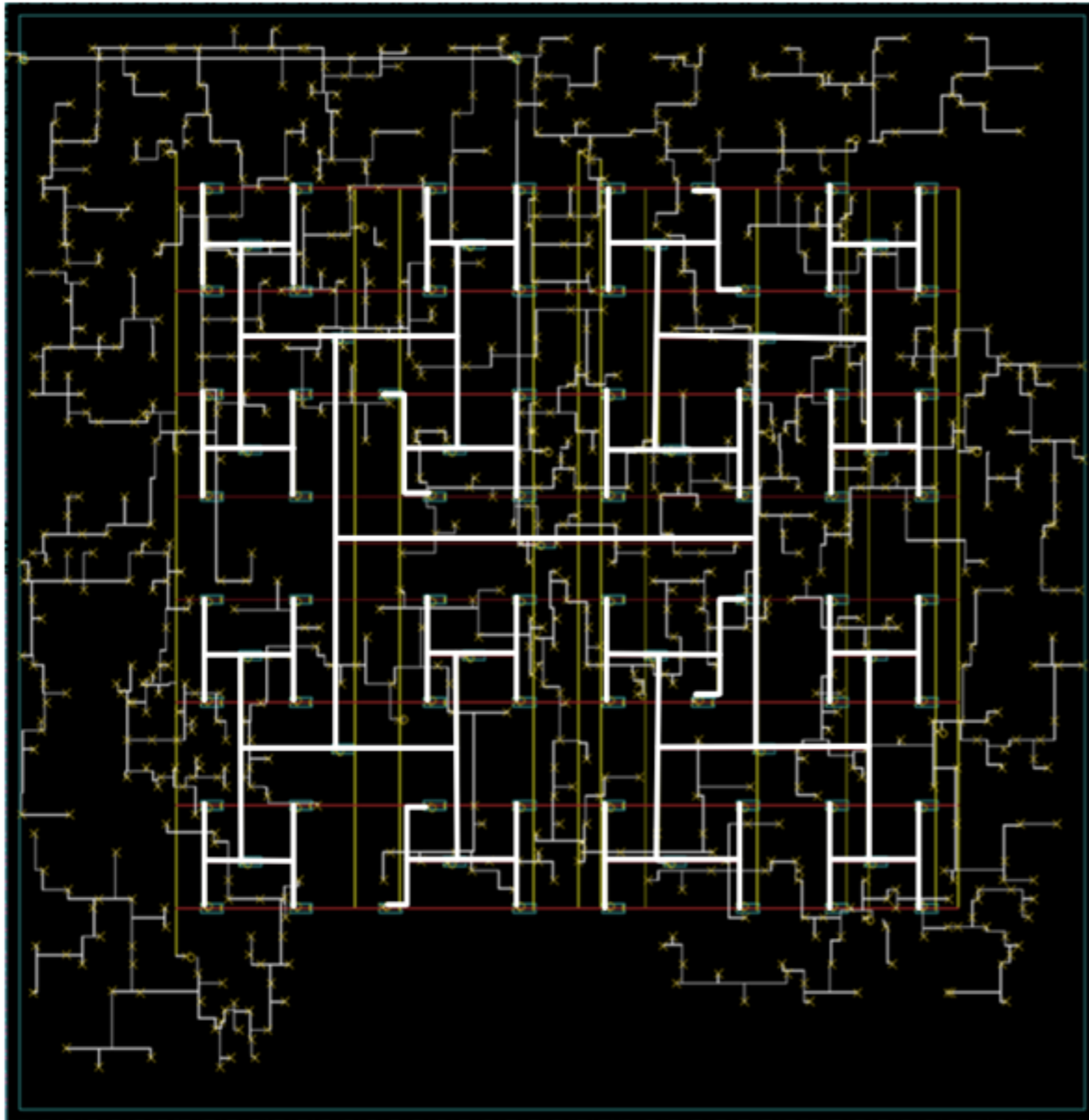
[Ho et al, ISPD'2009]

Modern Clock Design — 2



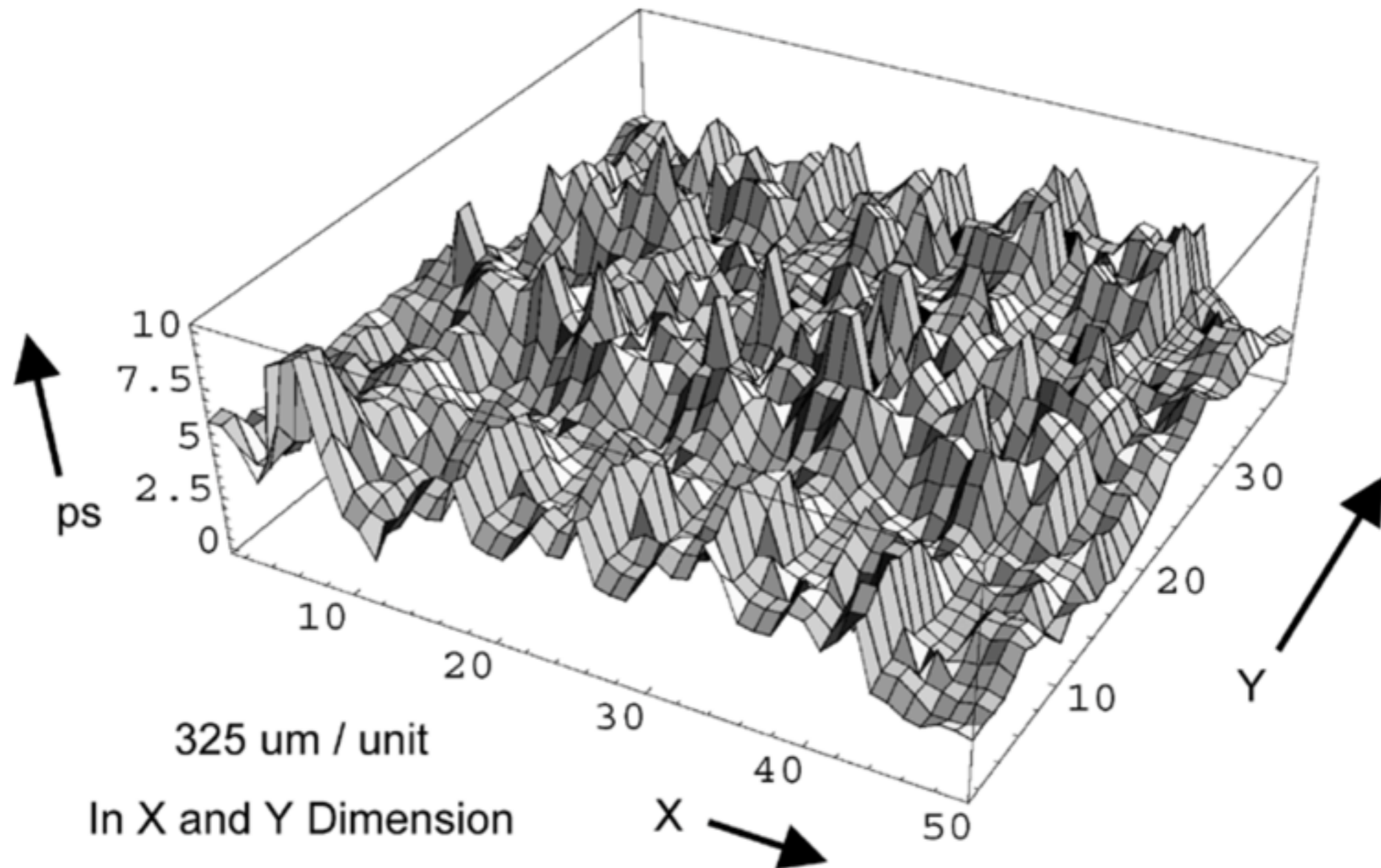
[Yeh et al, ISQED'2006]

Modern Clock Design — 3



[Seok et al, ISLPED'2010]

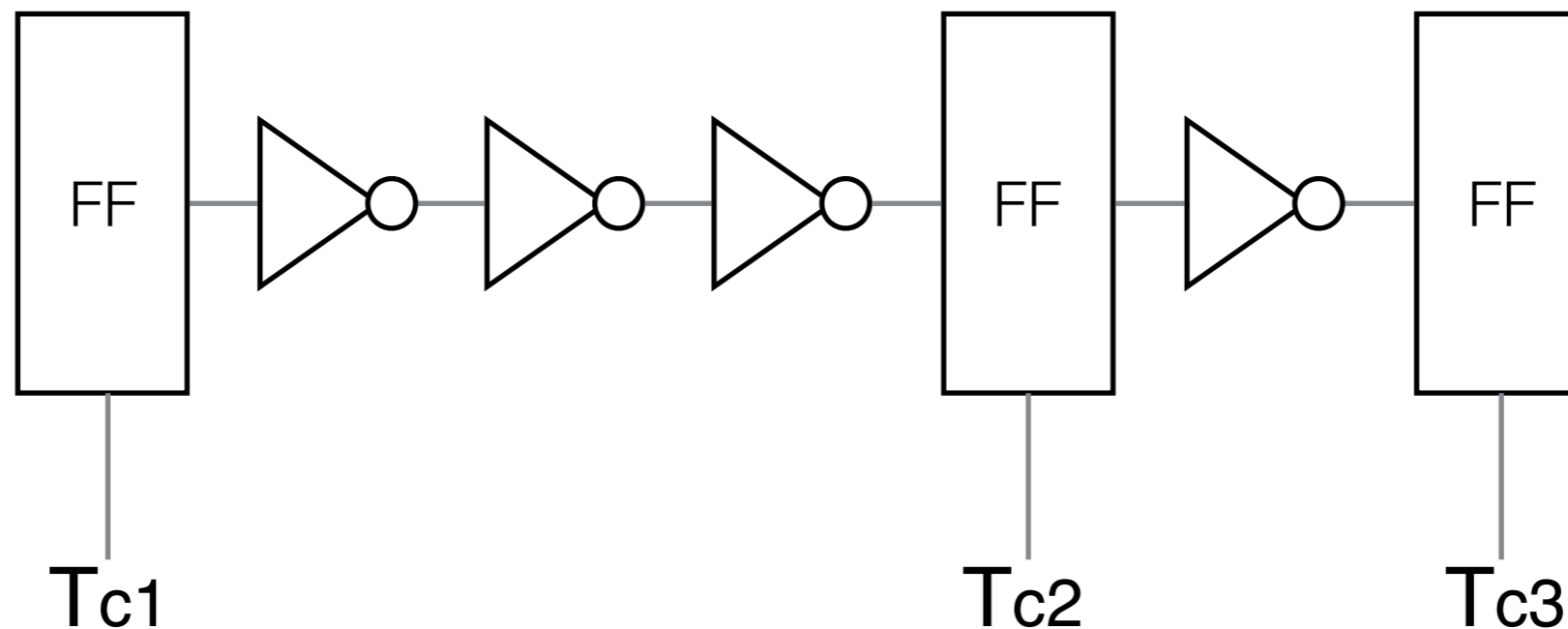
Clock Skew Distribution



[Pham et al, JSSC'2006]

EX. Skew Optimization

- Instead of Zero-Skew, take advantage of Skew.
- **Question:** Given $T_{G,max}=6ns$, $T_{ff,max}=10ns$, $T_{setup}=2ns$, what's the minimal T_{CLK} ? **Assume $T_{c3} = 0$.**



Thank You