



香港中文大學
The Chinese University of Hong Kong

CENG3420

Lecture 05: Datapath

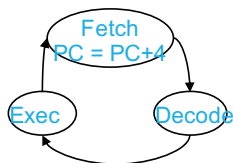
Bei Yu

(Latest update: February 7, 2019)

Spring 2019

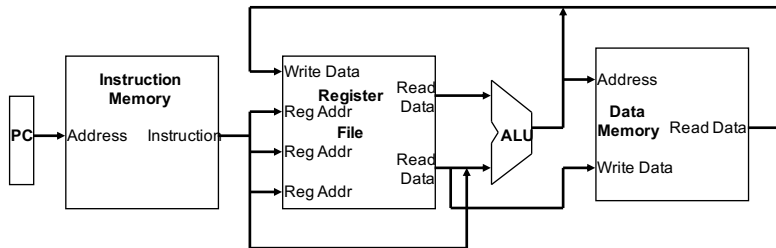
The Processor: Datapath & Control

- ▶ We're ready to look at an implementation of the MIPS
- ▶ Simplified to contain only:
 - ▶ Memory-reference instructions: `lw`, `sw`
 - ▶ Arithmetic-logical instructions: `add`, `addu`, `sub`, `subu`, `and`, `or`, `xor`, `nor`, `slt`, `sltu`
 - ▶ Arithmetic-logical immediate instructions: `addi`, `addiu`, `andi`, `ori`, `xori`, `slti`, `sltiu`
 - ▶ Control flow instructions: `beq`, `j`
- ▶ Generic implementation:
 - ▶ Use the program counter (PC)
 - ▶ To supply the instruction address and fetch the instruction from memory (and update the PC)
 - ▶ Decode the instruction (and read registers)
 - ▶ Execute the instruction



Abstract Implementation View

- ▶ Two types of functional units:
 - ▶ elements that operate on data values (**combinational**)
 - ▶ elements that contain state (**sequential**)

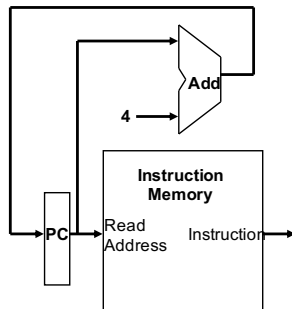
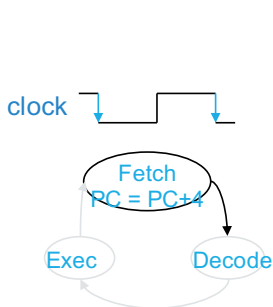


- ▶ Single cycle operation
- ▶ Split memory (Harvard) model - one memory for instructions and one for data



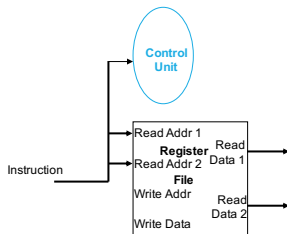
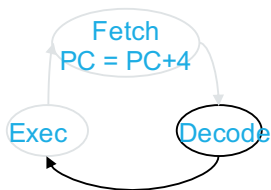
Fetching Instructions

1. Reading the instruction from the Instruction Memory
2. Updating the PC value to be the address of the next (sequential) instruction
3. PC is updated every clock cycle, so it does not need an explicit write control signal
4. Instruction Memory is read every clock cycle, so it doesn't need an explicit read control signal



Decoding Instructions

1. Sending the fetched instruction's opcode and function field bits to the control unit
2. Reading two values from the Register File
3. (Register File addresses are contained in the instruction)



Reading Registers “Just in Case”

- ▶ Both RegFile read ports are active for all instructions during the Decode cycle
- ▶ Using the `rs` and `rt` instruction field addresses
- ▶ Since haven't decoded the instruction yet, don't know what the instruction is
- ▶ Just in case the instruction uses values from the RegFile do “work ahead” by reading the two source operands



Reading Registers “Just in Case”

- ▶ Both RegFile read ports are active for all instructions during the Decode cycle
- ▶ Using the `rs` and `rt` instruction field addresses
- ▶ Since haven't decoded the instruction yet, don't know what the instruction is
- ▶ Just in case the instruction uses values from the RegFile do “work ahead” by reading the two source operands

Question

Which instructions do make use of the RegFile values?



EX-1

All instructions (except `j`) use the ALU after reading the registers. Please analyze memory-reference, arithmetic, and control flow instructions.

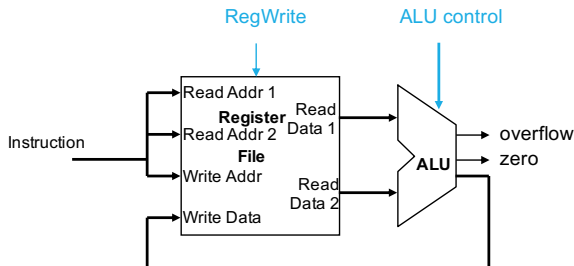
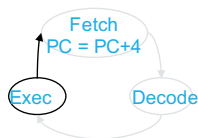


Executing R Format Operations

R format operations: `add`, `sub`, `slt`, `and`, `or`



- ▶ Perform operation (`op` and `funct`) on values in `rs` and `rt`
- ▶ Store the result back into the Register File (into location `rd`)
- ▶ Note that Register File is not written every cycle (e.g. `sw`), so we need an explicit write control signal for the Register File

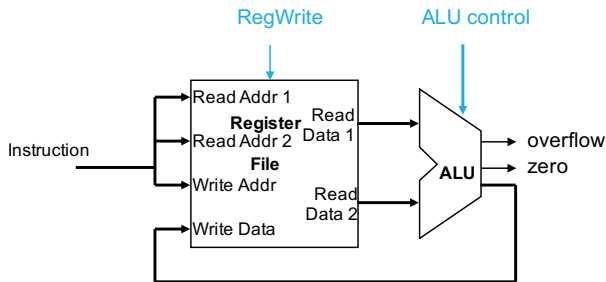


Consider the `slt` Instruction

- Remember the R format instruction `slt`

```
slt $t0, $s0, $s1    # if    $s0 < $s1  
                       # then  $t0 = 1  
                       # else  $t0 = 0
```

- Where does the 1 (or 0) come from to store into `$t0` in the Register File at the end of the execute cycle?



Executing Load and Store Operations

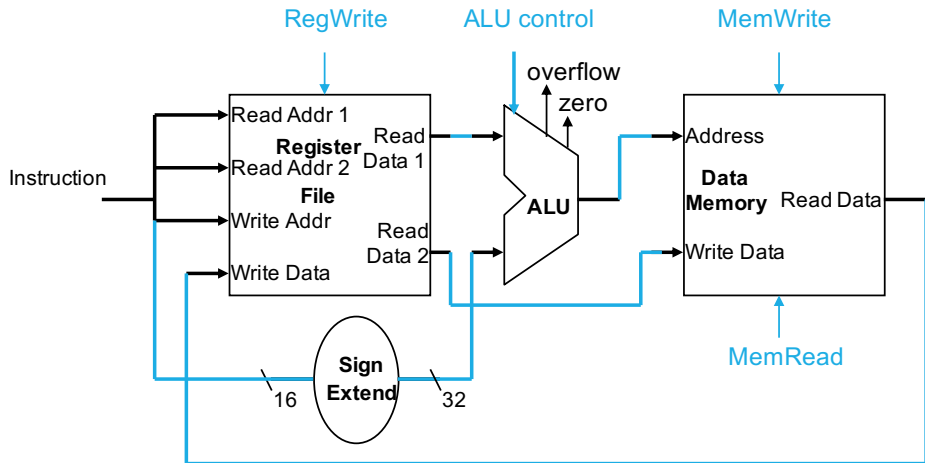


Load and store operations have to

- ▶ **compute** a memory address by adding the base register (in `rs`) to the **16-bit** signed offset field in the instruction
 - ▶ base register was read from the Register File during decode
 - ▶ offset value in the low order 16 bits of the instruction must be **sign extended** to create a **32-bit** signed value
- ▶ **store** value, read from the Register File during decode, must be written to the Data Memory
- ▶ **load** value, read from the Data Memory, must be stored in the Register File



Executing Load and Store Operations (cont.)



Executing Branch Operations

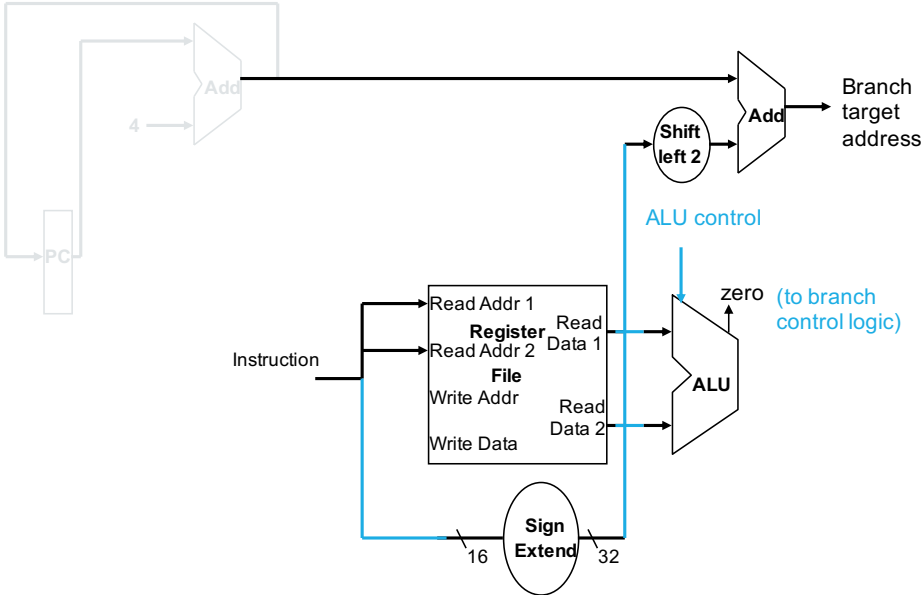


Branch operations have to

- ▶ compare the operands read from the Register File during decode (rs and rt values) for equality (zero ALU output)
- ▶ compute the branch target address by adding the updated PC to the **sign extended 16-bit** signed offset field in the instruction
- ▶ “base register” is the updated PC
- ▶ offset value in the low order 16 bits of the instruction must be sign extended to create a 32-bit signed value and then **shifted left 2 bits** to turn it into a word address



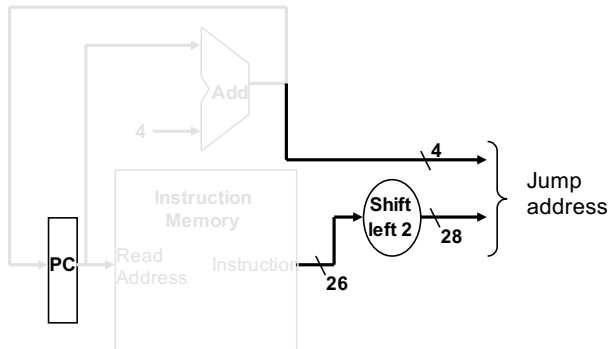
Executing Branch Operations (cont.)



Executing Jump Operations



- ▶ Jump operations have to replace the lower 28 bits of the PC with the lower 26 bits of the fetched instruction shifted left by 2 bits

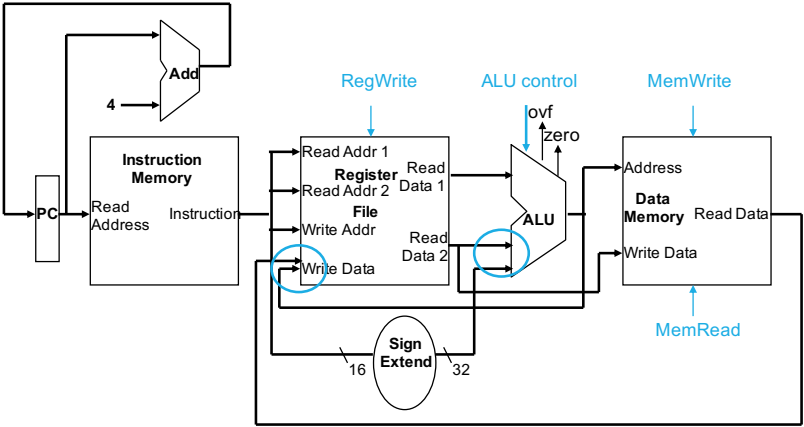


Creating a Single Datapath from the Parts

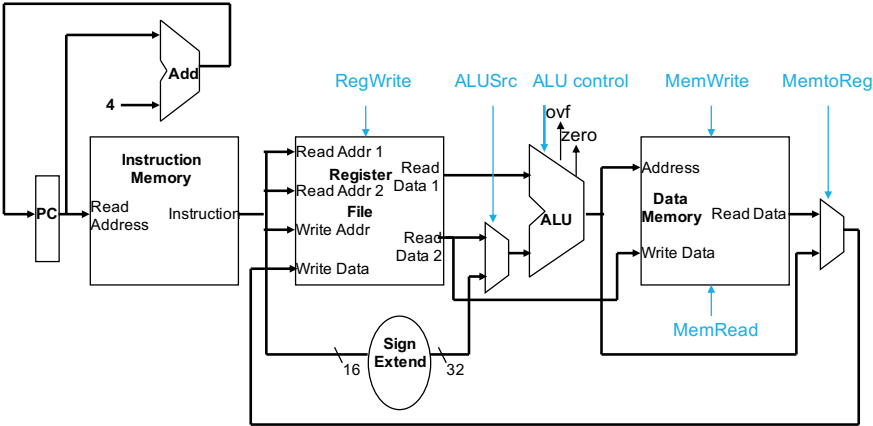
- ▶ Assemble the datapath elements, add control lines as needed, and design the control path
- ▶ Fetch, decode and execute each instruction in one clock cycle – **single cycle** design
 - ▶ **no** datapath resource can be used more than once per instruction, so some must be duplicated (e.g., why we have a separate Instruction Memory and Data Memory)
 - ▶ to share datapath elements between two different instruction classes will need **multiplexors** at the input of the shared elements with control lines to do the selection
- ▶ **Cycle** time is determined by length of the longest path



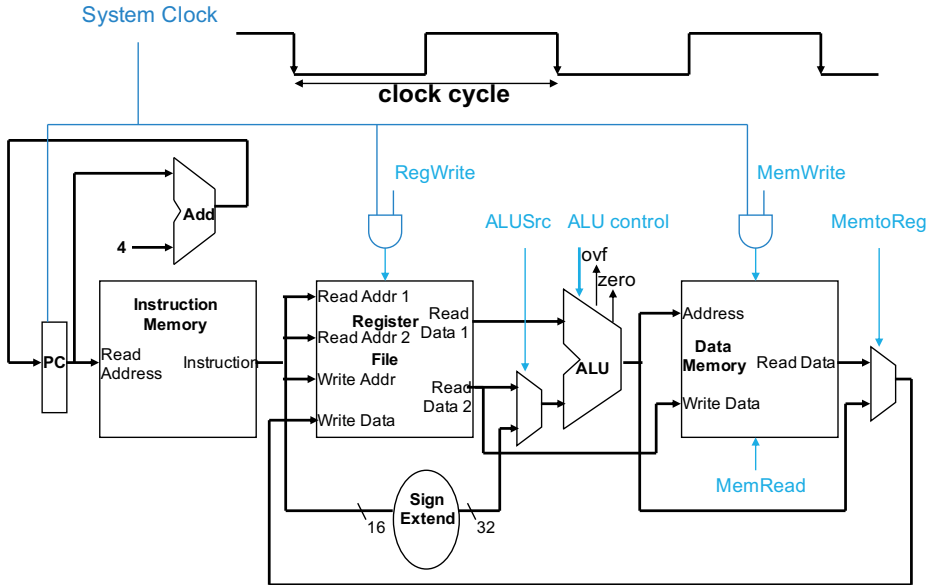
Multipiler Insertion



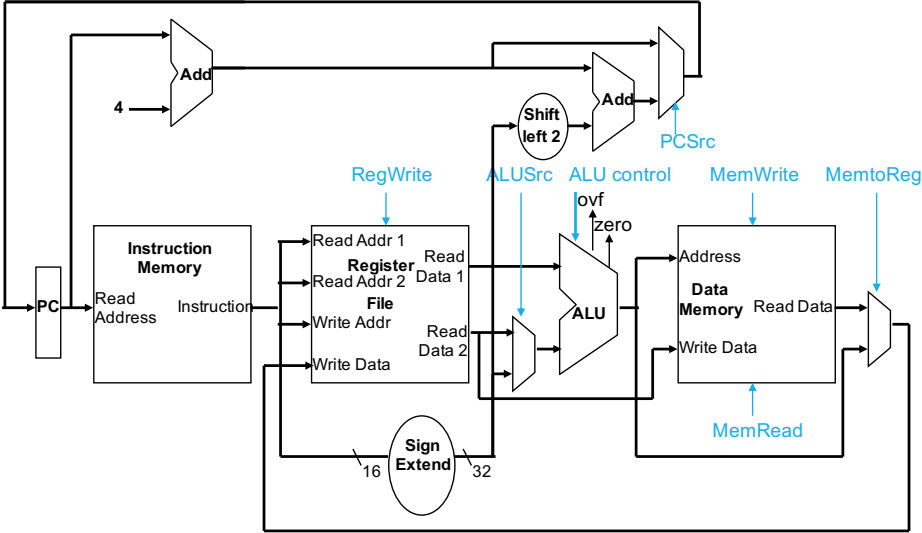
Multipiler Insertion



Clock Distribution



Adding the Branch Portion



Our Simple Control Structure

- ▶ We wait for everything to settle down
 - ▶ ALU might not produce "right answer" right away
 - ▶ Memory and RegFile reads are **combinational** (as are ALU, adders, muxes, shifter, signextender)
 - ▶ Use write signals along with the clock edge to determine when to write to the **sequential** elements (to the PC, to the Register File and to the Data Memory)
- ▶ The clock cycle time is determined by the logic delay through the **longest** path
- ▶ (We are ignoring some details like register setup and hold times)



Summary: Adding the Control

- ▶ Selecting the operations to perform (ALU, Register File and Memory read/write)
- ▶ Controlling the flow of data (multiplexor inputs)
- ▶ Information comes from the 32 bits of the instruction

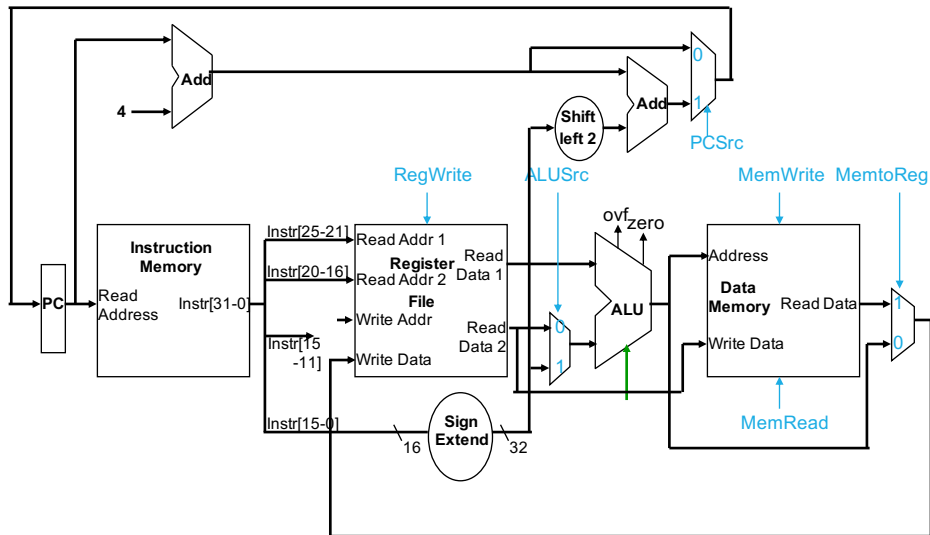


Observations:

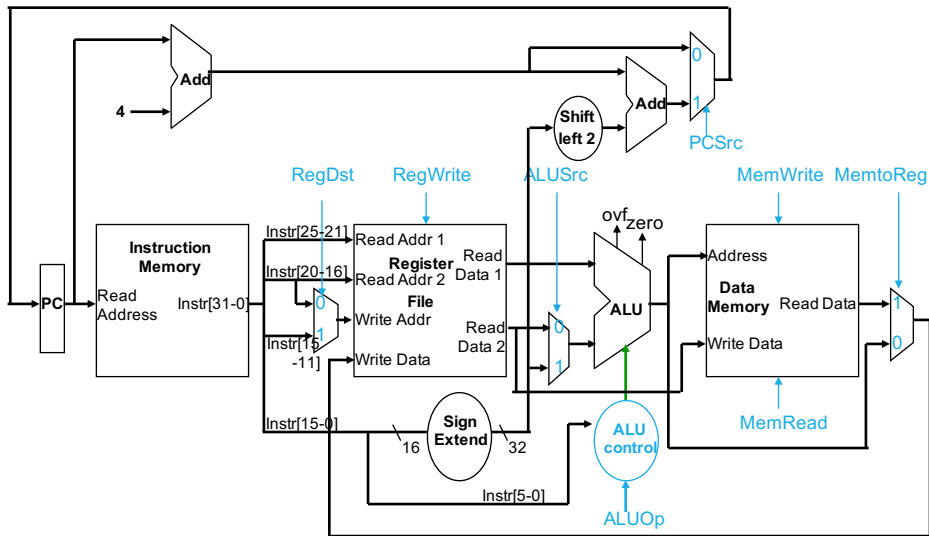
- ▶ `op` field always in bits 31-26
- ▶ address of two registers to be read are **always** specified by the `rs` and `rt` fields (bits 25–21 and 20–16)
- ▶ **base register** for `lw` and `sw` always in `rs` (bits 25–21)
- ▶ address of register to be written is in one of two places:
 - ▶ in `rt` (bits 20–16) for `lw`;
 - ▶ in `rd` (bits 15–11) for R-type instructions
- ▶ offset for `beq`, `lw`, and `sw` always in bits 15–0



(Almost) Complete Single Cycle Datapath



(Almost) Complete Single Cycle Datapath



ALU Control

ALU's operation based on instruction type and function code*

ALU control input	Function
0000	and
0001	or
0010	xor
0011	nor
0110	add
1110	subtract
1111	set on less than

*Notice that we are using **different** encodings than in the book

EX: ALU Control

Controlling the ALU uses of multiple decoding levels

- ▶ main control unit generates the `ALUOp` bits
- ▶ ALU control unit generates `ALUcontrol` bits

Instr op	funct	ALUOp	action	ALUcontrol
lw	xxxxxx	00		
sw	xxxxxx	00		
beq	xxxxxx	01		
add	100000	10	add	0110
subt	100010	10	subtract	1110
and	100100	10	and	0000
or	100101	10	or	0001
xor	100110	10	xor	0010
nor	100111	10	nor	0011
slt	101010	10	slt	1111



ALU Control Truth Table

F5	F4	F3	F2	F1	F0	ALU Op ₁	ALU Op ₀	ALU control ₃	ALU control ₂	ALU control ₁	ALU control ₀
X	X	X	X	X	X	0	0	0	1	1	0
X	X	X	X	X	X	0	1	1	1	1	0
X	X	0	0	0	0	1	0	0	1	1	0
X	X	0	0	1	0	1	0	1	1	1	0
X	X	0	1	0	0	1	0	0	0	0	0
X	X	0	1	0	1	1	0	0	0	0	1
X	X	0	1	1	0	1	0	0	0	1	0
X	X	0	1	1	1	1	0	0	0	1	1
X	X	1	0	1	0	1	0	1	1	1	1



ALU Control Truth Table

F5	F4	F3	F2	F1	F0	ALU Op ₁	ALU Op ₀	ALU control ₃	ALU control ₂	ALU control ₁	ALU control ₀
X	X	X	X	X	X	0	0	0	1	1	0
X	X	X	X	X	X	0	1	1	1	1	0
X	X	0	0	0	0	1	0	0	1	1	0
X	X	0	0	1	0	1	0	1	1	1	0
X	X	0	1	0	0	1	0	0	0	0	0
X	X	0	1	0	1	1	0	0	0	0	1
X	X	0	1	1	0	1	0	0	0	1	0
X	X	0	1	1	1	1	0	0	0	1	1
X	X	1	0	1	0	1	0	1	1	1	1

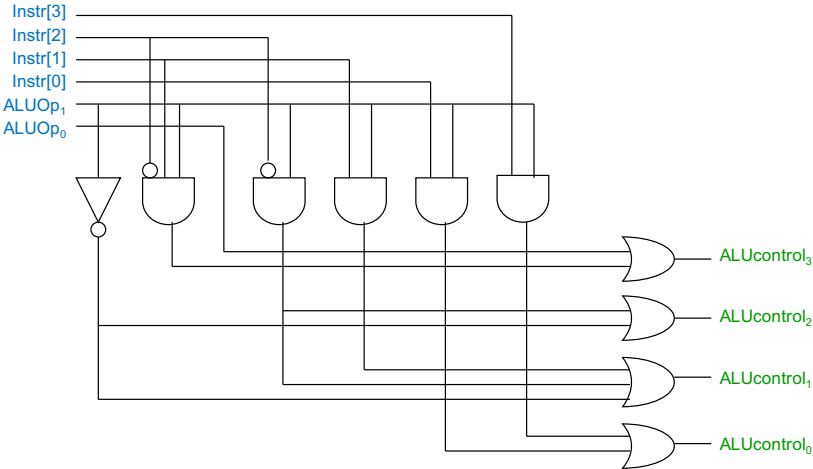
Add/subt

Mux control

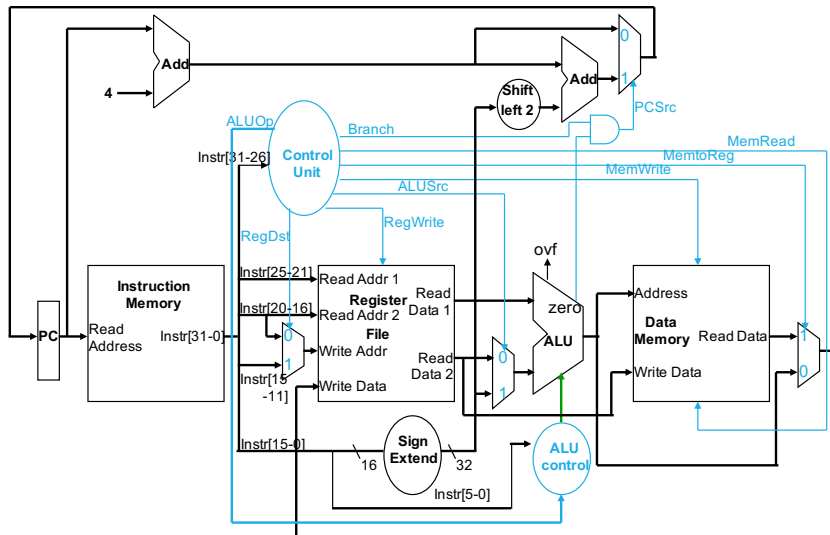


ALU Control Logic

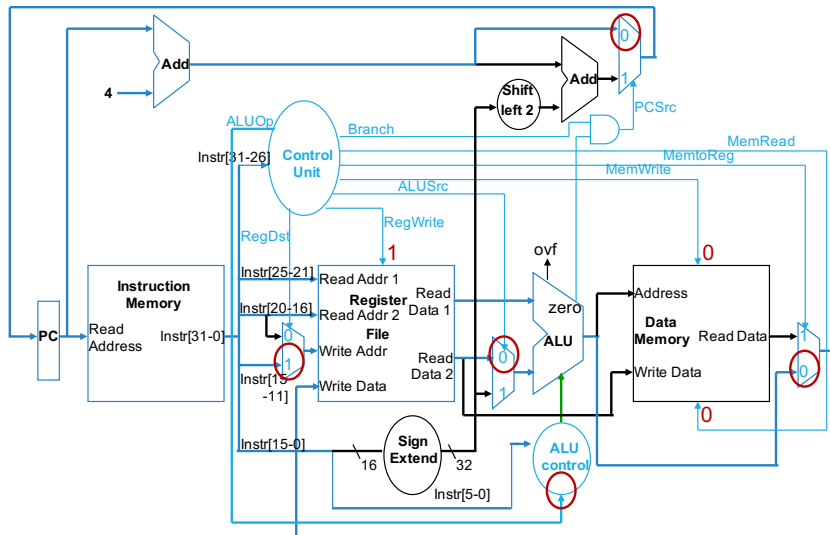
From the truth table can design the ALU Control logic



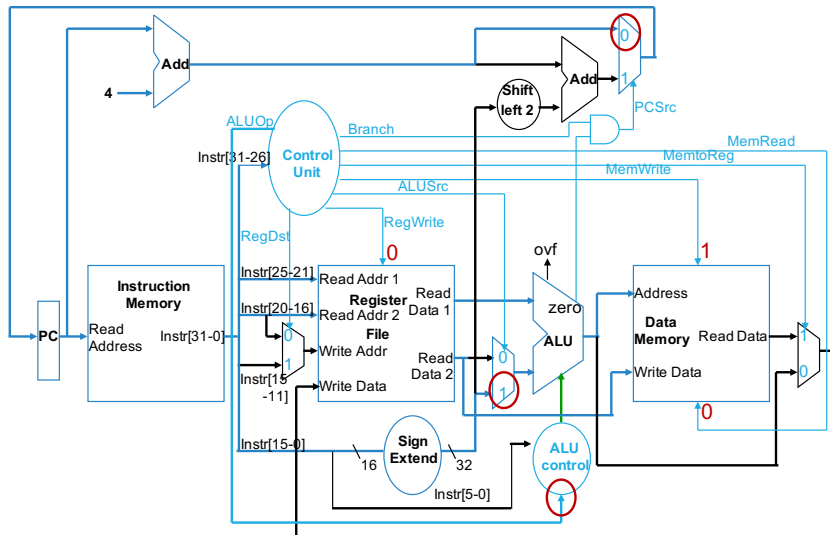
(Almost) Complete Datapath with Control Unit



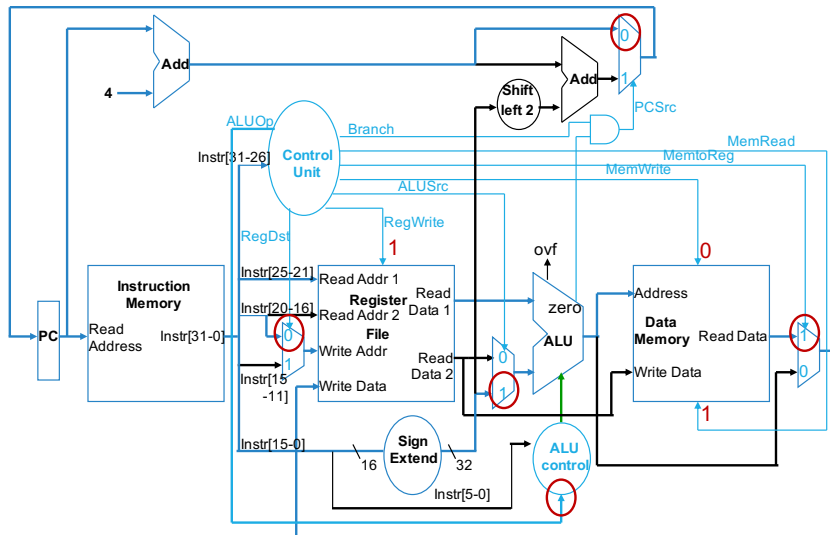
(Almost) Complete Datapath with Control Unit



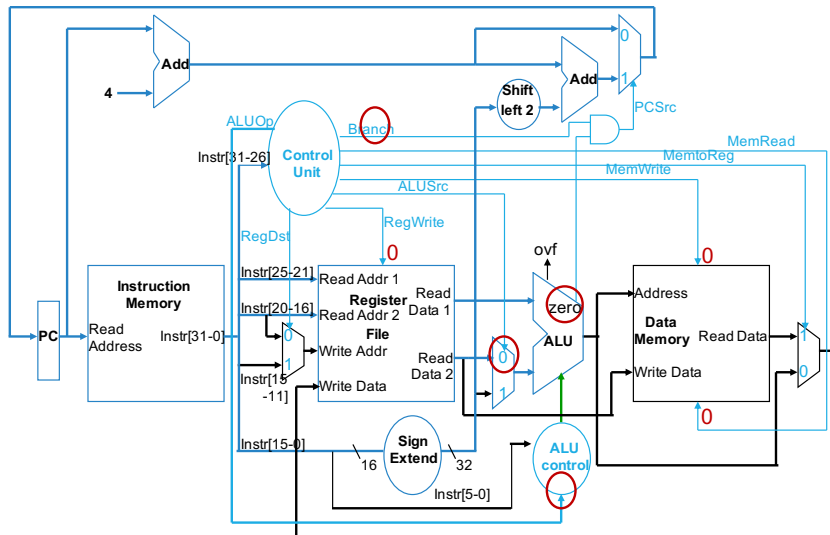
(Almost) Complete Datapath with Control Unit



(Almost) Complete Datapath with Control Unit



(Almost) Complete Datapath with Control Unit

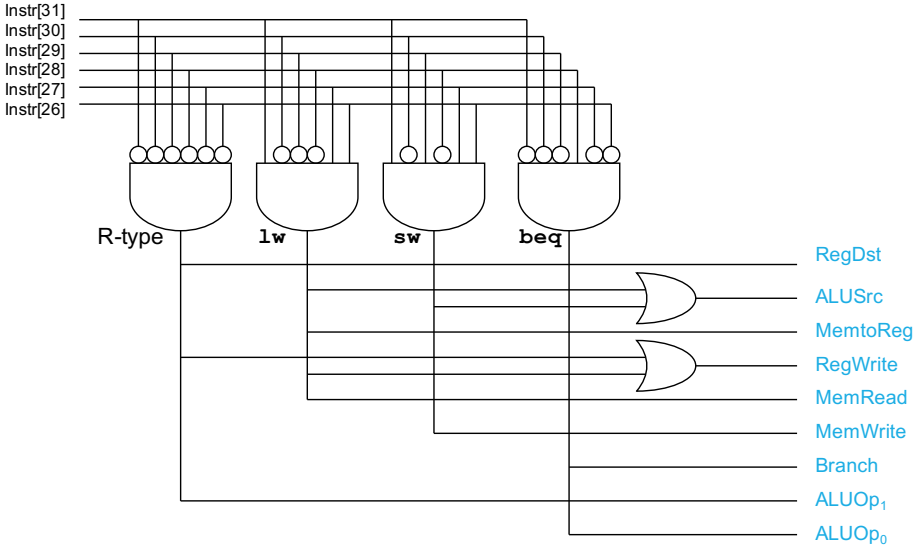


Main Control Unit

Instr	RegDst	ALUSrc	MemReg	RegWr	MemRd	MemWr	Branch	ALUOp
R-type 000000	1	0	0	1	0	0	0	10
lw 100011	0	1	1	1	1	0	0	00
sw 101011	X	1	X	0	0	1	0	00
beq 000100	X	0	X	0	0	0	1	01



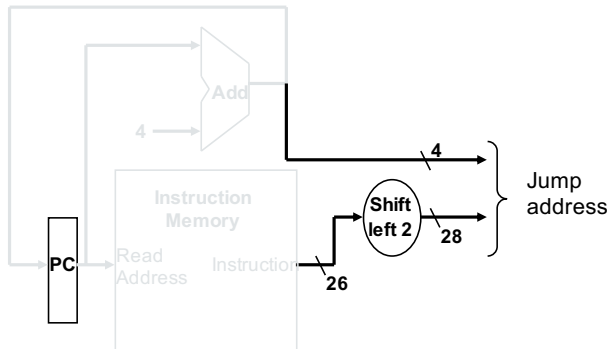
Control Unit Logic

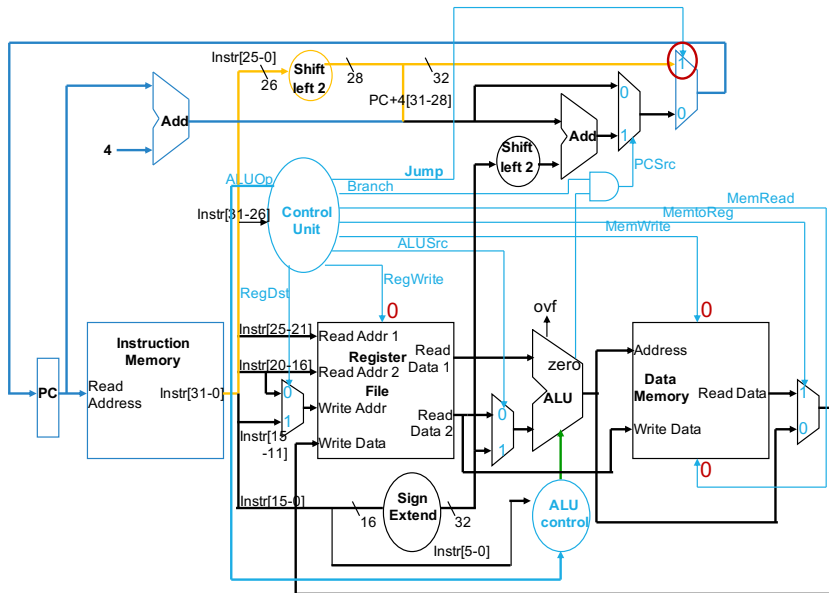


Review: Executing Jump Operations



- ▶ Jump operations have to replace the lower 28 bits of the PC with the lower 26 bits of the fetched instruction shifted left by 2 bits





EX: Main Control Unit of j

Instr	RegDst	ALUSrc	MemReg	RegWr	MemRd	MemWr	Branch	ALUOp	Jump
R-type 000000	1	0	0	1	0	0	0	10	0
lw 100011	0	1	1	1	1	0	0	00	0
sw 101011	X	1	X	0	0	1	0	00	0
beq 000100	X	0	X	0	0	0	1	01	0
j 000010									1



Single Cycle Implementation Cycle Time

- ▶ Unfortunately, though simple, the single cycle approach is not used because it is very slow
- ▶ Clock cycle must have the same length for every instruction
- ▶ What is the longest path (slowest instruction)?



EX: Instruction Critical Paths

Calculate cycle time assuming negligible delays (for muxes, control unit, sign extend, PC access, shift left 2, wires) except:

- ▶ Instruction and Data Memory (4 ns)
- ▶ ALU and adders (2 ns)
- ▶ Register File access (reads or writes) (1 ns)

Instr.	I Mem	Reg Rd	ALU Op	D Mem	Reg Wr	Total
R-type	4	1	2		1	8
load						
store						
beq						
jump						



Single Cycle Disadvantages & Advantages

- ▶ Uses the clock cycle inefficiently – the clock cycle must be timed to accommodate the **slowest** instr
- ▶ Especially problematic for more complex instructions like floating point multiply
- ▶ May be wasteful of area since some functional units (e.g., adders) must be duplicated since they can not be shared during a clock cycle
- ▶ **but** It is simple and easy to understand

